

Our Company

Our company was founded by Şükrü GÜDÜCÜ in 1983 with metal working and production. The company has continued production until today by manufacturing various machinery and spare parts. Thanks to importance given to quality and the support of supplier companies and the technical equipments since the establishment of the company, the company strengthened its position in its sector by continuously increasing its capacity and quality. Our company growing by increasing its capacity and product quality thanks to its continuous employment strategy and the machinery has led its employees in line with R&D issues by giving weight on by being an example to the sector in line with the aims of the company.

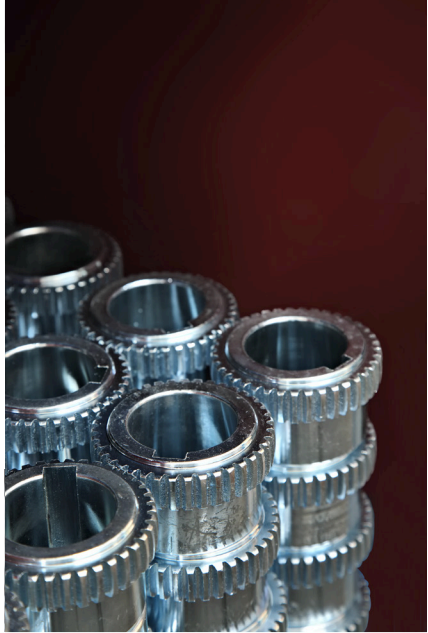
Our company increasing its product variety, has established GDC Hydraulic & Pneumatic Co in 2002 for professionalization in marketing activities and conducts its sales activities through that company.

Our company manufactures and sells Hydraulic Cylinders and Hydraulic Unit Equipments through domestic and international sales and dealership system. The company continues to increase the number of its customers and product variety with a customer satisfaction and quality-oriented approach and continues to grow.

GDC Hydraulic continuing production based on quality and service principles and by giving priority to customer satisfaction, can respond to every problem of its customers thanks to its rich technical knowledge.

And today we have our Foreign Trade company (Farteks) to cover International markets and exports which we have to many countries.


















Farteks
Foreign
Trade



Description











Page











	<p>Gland (Cast Iron GG25 / GG26 DIN 1691)</p>	<p>10</p>
	<p>Steel Gland (SAE 1040 / SAE 1050)</p>	<p>16</p>
	<p>Piston (Steel SAE 1040 / SAE 1050)</p>	<p>20</p>
	<p>Piston With Thread (Steel SAE 1040 / SAE 1050)</p>	<p>22</p>
	<p>Piston With Guide Ring (Steel SAE 1040 / SAE 1050)</p>	<p>23</p>
	<p>Mobile Crane Rod Gland</p>	<p>24</p>
	<p>Mobile Crane Rod Gland</p>	<p>26</p>
	<p>Mobile Crane Piston</p>	<p>27</p>
	<p>Mobile Crane Rod Nut</p>	<p>28</p>
	<p>Mobile Crane Nut</p>	<p>28</p>

Description	Page	
	Trunnion	29
	End Plug With Oil Hole	30
	End Plug	31
	BSP Weldable Port	32
	UNF Weldable Nipple	32
	Weldable Metric Elbow	32
	Weldable Metric Nipple	33
	Metric Weldable Port	33
	Rod End	34
	Weldable Rod End	35

Description











Page









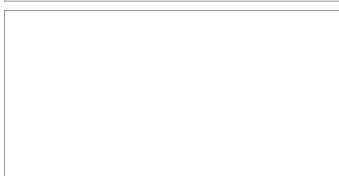

	<p>Rod End</p>	<p>35</p>
	<p>Machined Coupling Acc to Motor Mil</p>	<p>36</p>
	<p>Machined Coupling Acc to Pump Mil</p>	<p>37</p>
	<p>Solid Flexible Gear Coupling</p>	<p>38</p>
	<p>Flexible Coupling</p>	<p>38</p>
	<p>Elbow Pump Adaptor (GGG50)</p>	<p>39</p>
	<p>Pump Adaptor</p>	<p>39</p>
	<p>Bell Housing</p>	<p>40</p>
	<p>Suction Filter</p>	<p>42</p>
	<p>Filler Cap</p>	<p>42</p>

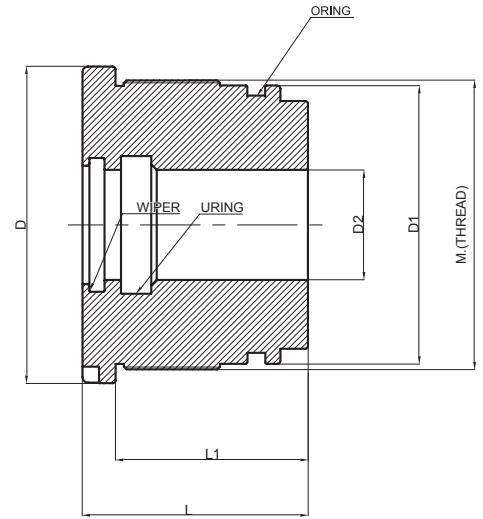
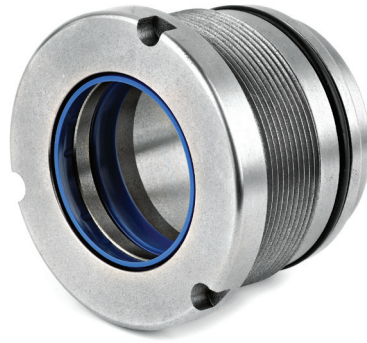
Description	Page
	<p>Level Indicator 42</p>
	<p>Aluminium Tank 43</p>
	<p>Maintenace Plug 43</p>
	<p>Visual Level Indicator (Aluminium) 44</p>
	<p>Visual Level Indicator (Polyamide) 44</p>
	<p>Copper Washer 44</p>
	<p>R'' O-Ring Gasket 44</p>
	<p>Clipsed Fork Joint 44</p>
	<p>Double Action Manuel Hand Pump 45</p>
	<p>Single Action Manuel Hand Pump 45</p>

Description

Page

	<p>3 Way Valve GGG50 Cast Iron</p>	<p>46</p>
	<p>Aluminium Tank</p>	<p>46</p>
	<p>Twin Lock Valve</p>	<p>47</p>
	<p>Twin Lock Valve With Nut</p>	<p>47</p>
	<p>Hydraulic Pressure Safety Valve</p>	<p>48</p>
	<p>Manuel Hose Crimping</p>	<p>48</p>
	<p>Tube Bending Equipment</p>	<p>48</p>
	<p>316 L Stainless Check Valve</p>	<p>49</p>
	<p>Check Valve</p>	<p>49</p>
	<p>Viton Check Valve</p>	<p>49</p>

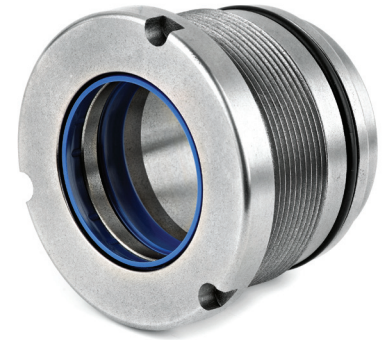
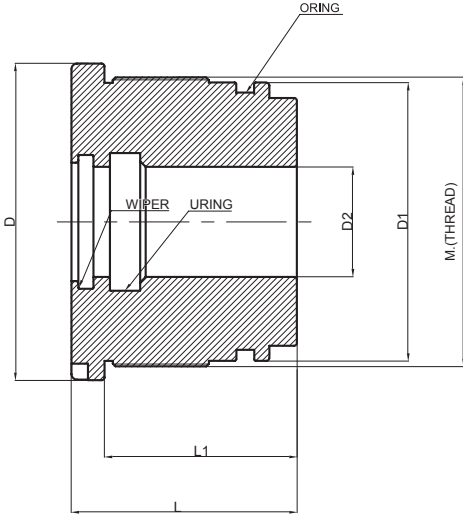
Description	Page
	<p>2 Way Ball Valve 50</p>
	<p>2 Way Metric Ball Valve 50</p>
	<p>2 Way NPT Ball Valve 51</p>
	<p>3 Way Ball Valve 51</p>
	<p>Quick Coupling 52</p>
	<p>316 L Stainless Quick Coupling 53</p>
	<p>High Pressure Quick Coupling 54</p>
	<p>Ball Type Quick Coupling 55</p>
	<p>Placeholder row</p>
	<p>Placeholder row</p>



Gland (Cast Iron GG25 / GG26 DIN 1691)

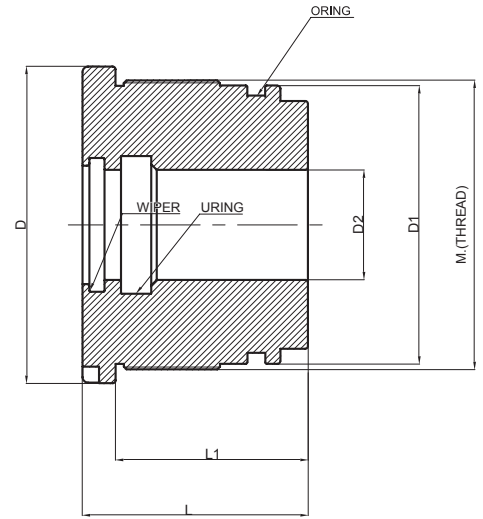
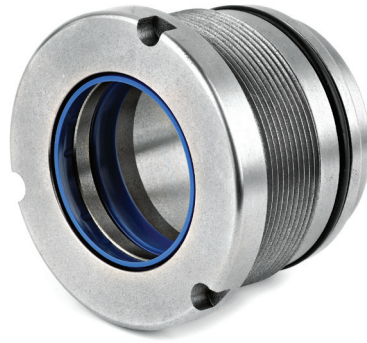
CODE	U-RING	WIPER	ORING	D	D1	D2	L	L1	THREAD	kg
GDC-B 32x16	YOK	16x24x5/7	28x2,5	40	33	16	40	32	36x1,5	0,190 kg
GDC-B 32x18	18x25x5	18x26x5/7	28x2,5	40	33	18	40	32	36x1,5	0,170 kg
GDC-B 32x20	20x28x5	20x28x5/7	28x2,5	40	33	20	40	32	36x1,5	0,150 kg
GDC-B 32x22	22x30x6	22x30x5/7	28x2,5	40	33	22	40	32	36x1,5	0,120 kg
GDC-B 35x20	20x28x5	20x28x5/7	31x3	45	36	20	40	32	39x1,5	0,200 kg
GDC-B 35x22	22x30x6	22x30x5/7	31x3	45	36	22	40	32	39x1,5	0,170 kg
GDC-B 35-25	25x35x6	25x33x5/7	31x3	45	36	25	40	32	39x1,5	0,245 kg
GDC-B 40-16	YOK	16x24x5/7	36x3	50	41	16	40	32	45x1,5	0,330 kg
GDC-B 40x20	20x28x5	20x28x5/7	36x3	50	41	20	40	32	45x1,5	0,300 kg
GDC-B 40x22	22x30x6	22x30x5/7	36x3	50	41	22	40	32	45x1,5	0,270 kg
GDC-B 40x25	25x35x6	25x33x5/7	36x3	50	41	25	40	32	45x1,5	0,230 kg
GDC-B 40x28	28x38x6	28x36x5/7	36x3	50	41	28	40	32	45x1,5	0,190 kg
GDC-B 45x20	20x28x5	20x28x5/7	39.69x3.53	55	46	20	45	37	50x1,5	0,440 kg
GDC-B 45x25	25x35x6	25x33x5/7	39.69x3.53	55	46	25	45	37	50x1,5	0,370 kg
GDC-B 45x30	30x40x8	30x38x5/7	39.69x3.53	55	46	30	45	37	50x1,5	0,280 kg
GDC-B 50x20	20x28x5	20x28x5/7	44.45x3.53	60	51	20	45	37	55x1,5	0,570 kg
GDC-B 50x25	25x35x6	25x33x5/7	44.45x3.53	60	51	25	45	37	55x1,5	0,500 kg
GDC-B 50x28	28x38x6	28x36x5/7	44.45x3.53	60	51	28	45	37	55x1,5	0,450 kg
GDC-B 50x30	30x40x8	30x38x5/7	44.45x3.53	60	51	30	45	37	55x1,5	0,410 kg
GDC-B 50x32	32x40x8	32x40x5/7	44.45x3.53	60	51	32	45	37	55x1,5	0,380 kg
GDC-B 50x35	35x45x8	35x43x5/7	44.45x3.53	60	51	35	45	37	55x1,5	0,320 kg
GDC-B 50x36	36x46x8	36x44x5/7	44.45x3.53	60	51	36	45	37	55x1,5	0,300 kg
GDC-B 55x25	25x35x6	25x33x5/7	47.63x3.53	65	56	25	52	42	60x1,5	0,750 kg
GDC-B 55x30	30x40x8	30x38x5/7	47.63x3.53	65	56	30	52	42	60x1,5	0,650 kg
GDC-B 55x35	35x45x8	35x43x5/7	47.63x3.53	65	56	35	52	42	60x1,5	0,550 kg
GDC-B 60x30	30x40x8	30x38x5/7	53.57x3.53	70	61	30	52	42	65x1,5	0,830 kg
GDC-B 60x35	35x45x8	35x43x5/7	53.57x3.53	70	61	35	52	42	65x1,5	0,720 kg
GDC-B 60x40	40x50x10	40x48x5/7	53.57x3.53	70	61	40	52	42	65x1,5	0,590 kg
GDC-B 60x45	45x55x10	45x55x5/7	53.57x3.53	70	61	45	52	42	65x1,5	0,450 kg
GDC-B 63x30	30x40x8	30x38x5/7	57.15x3.53	75	64	30	52	42	69x1,5	0,970 kg
GDC-B 63x35	35x45x8	35x43x5/7	57.15x3.53	75	64	35	52	42	69x1,5	0,870 kg
GDC-B 63x36	36x46x8	36x44x5/7	57.15x3.53	75	64	36	52	42	69x1,5	0,840 kg
GDC-B 63x40	40x50x10	40x48x5/7	57.15x3.53	75	64	40	52	42	69x1,5	0,740 kg

CAST IRON GLAND



Gland (Cast Iron GG25 / GG26 DIN 1691)

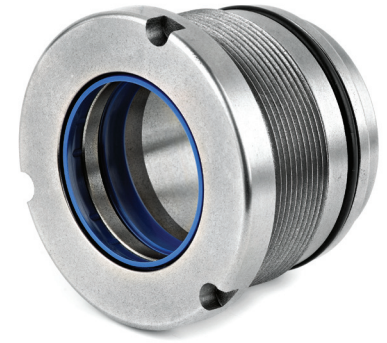
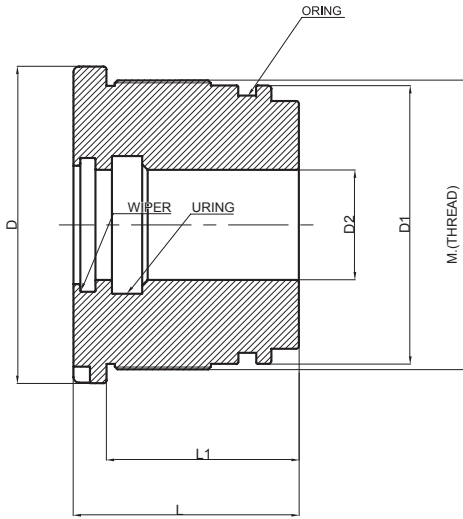
CODE	U-RING	WIPER	ORING	D	D1	D2	L	L1	THREAD	kg
GDC-B 63x45	45x55x10	45x55x5/7	57.15x3.53	75	64	45	52	42	69x1,5	0,590 kg
GDC-B 63x50	YOK	50x60x5/7	57.15x3.53	75	64	50	52	42	69x1,5	0,520 kg
GDC-B 65x30	30x40x8	30x38x5/7	59.92x3.53	80	66	30	63	52	70x1,5	1,280 kg
GDC-B 65x35	35x45x8	35x43x5/7	59.92x3.53	80	66	35	63	52	70x1,5	1,160 kg
GDC-B 65x40	40x50x10	40x48x5/7	59.92x3.53	80	66	40	63	52	70x1,5	1,010 kg
GDC-B 65x45	45x55x10	45x55x5/7	59.92x3.53	80	66	45	63	52	70x1,5	0,840 kg
GDC-B 70x25	25x35x6	25x33x5/7	65.10x3.53	85	71	25	63	52	75x2	1,640 kg
GDC-B 70x30	30x40x8	30x38x5/7	65.10x3.53	85	71	30	63	52	75x2	1,530 kg
GDC-B 70x35	35x45x8	35x43x5/7	65.10x3.53	85	71	35	63	52	75x2	1,410 kg
GDC-B 70x40	40x50x10	40x48x5/7	65.10x3.53	85	71	40	63	52	75x2	1,250 kg
GDC-B 70x45	45x55x10	45x55x5/7	65.10x3.53	85	71	45	63	52	75x2	1,090 kg
GDC-B 70x50	50x60x10	50x60x5/7	65.10x3.53	85	71	50	63	52	75x2	0,900 kg
GDC-B 70x55	55x65x10	55x65x5/7	65.10x3.53	85	71	55	63	52	75x2	0,720 kg
GDC-B 75x30	30x40x8	30x38x5/7	69.85x3.53	90	76	30	63	52	80x2	1,800 kg
GDC-B 75x35	35x45x8	35x43x5/7	69.85x3.53	90	76	35	63	52	80x2	1,680 kg
GDC-B 75x40	40x50x10	40x48x5/7	69.85x3.53	90	76	40	63	52	80x2	1,520 kg
GDC-B 75x45	45x55x10	45x55x5/7	69.85x3.53	90	76	45	63	52	80x2	1,370 kg
GDC-B 75x50	50x60x10	50x60x5/7	69.85x3.53	90	76	50	63	52	80x2	1,170 kg
GDC-B 75x55	55x65x10	55x65x5/7	69.85x3.53	90	76	55	63	52	80x2	0,970 kg
GDC-B 80x30	30x40x8	30x38x5/7	74x4	95	81	30	63	52	85x2	2,080 kg
GDC-B 80x35	35x45x8	35x43x5/7	74x4	95	81	35	63	52	85x2	1,950 kg
GDC-B 80x40	40x50x10	40x48x5/7	74x4	95	81	40	63	52	85x2	1,790 kg
GDC-B 80x45	45x55x10	45x55x5/7	74x4	95	81	45	63	52	85x2	1,620 kg
GDC-B 80x50	50x60x10	50x60x5/7	74x4	95	81	50	63	52	85x2	1,450 kg
GDC-B 80x55	55x65x10	55x65x5/7	74x4	95	81	55	63	52	85x2	1,250 kg
GDC-B 80x56	56x66x10	56x66x5/7	74x4	95	81	56	63	52	85x2	1,210 kg
GDC-B 80x60	60x70x10	60x70x5/7	74x4	95	81	60	63	52	85x2	1,030 kg
GDC-B 85x35	35x45x8	35x43x5/7	79x4	100	86	35	63	52	90x2	2,275 kg
GDC-B 85x40	40x50x10	40x48x5/7	79x4	100	86	40	63	52	90x2	2,100 kg
GDC-B 85x45	45x55x10	45x55x5/7	79x4	100	86	45	63	52	90x2	1,940 kg
GDC-B 85x50	50x60x10	50x60x5/7	79x4	100	86	50	63	52	90x2	1,750 kg
GDC-B 85x55	55x65x10	55x65x5/7	79x4	100	86	55	63	52	90x2	1,550 kg
GDC-B 85x60	60x70x10	60x70x5/7	79x4	100	86	60	63	52	90x2	1,330 kg



Gland (Cast Iron GG25 / GG26 DIN 1691)

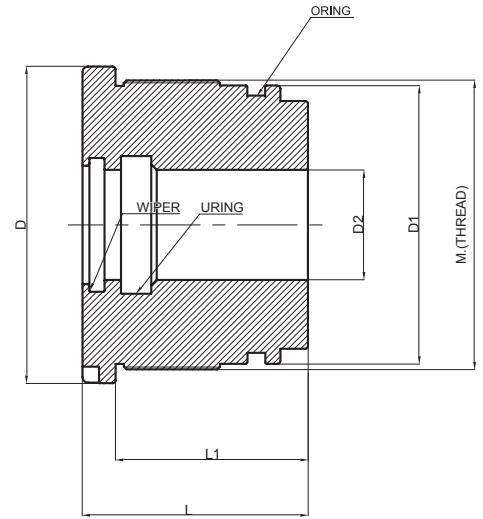
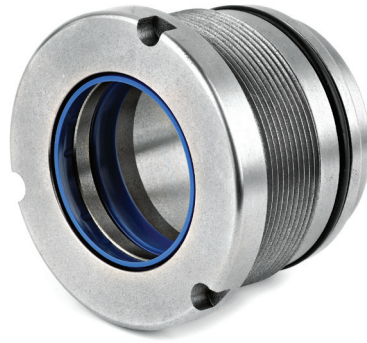
CODE	U-RING	WIPER	ORING	D	D1	D2	L	L1	THREAD	kg
GDC-B 90x35	35x45x8	35x43x5/7	84x4	105	91	35	63	52	95x2	2,570 kg
GDC-B 90x40	40x50x10	40x48x5/7	84x4	105	91	40	63	52	95x2	2,420 kg
GDC-B 90x45	45x55x10	45x55x5/7	84x4	105	91	45	63	52	95x2	2,260 kg
GDC-B 90x50	50x60x10	50x60x5/7	84x4	105	91	50	63	52	95x2	2,070 kg
GDC-B 90x55	55x65x10	55x65x5/7	84x4	105	91	55	63	52	95x2	1,880 kg
GDC-B 90x60	60x70x10	60x70x5/7	84x4	105	91	60	63	52	95x2	1,670 kg
GDC-B 90x65	65x75x10	65x75x5/7	84x4	105	91	65	63	52	95x2	1,430 kg
GDC-B 100x40	40x50x10	40x48x5/7	90x5	115	101	40	82	70	105x2	4,060 kg
GDC-B 100x45	45x55x10	45x55x5/7	90x5	115	101	45	82	70	105x2	3,830 kg
GDC-B 100x50	50x60x10	50x60x5/7	90x5	115	101	50	82	70	105x2	3,610 kg
GDC-B 100x55	55x65x10	55x65x5/7	90x5	115	101	55	82	70	105x2	3,360 kg
GDC-B 100x56	56x66x10	56x66x5/7	90x5	115	101	56	82	70	105x2	3,290 kg
GDC-B 100x60	60x70x10	60x70x5/7	90x5	115	101	60	82	70	105x2	3,060 kg
GDC-B 100x65	65x75x10	65x75x5/7	90x5	115	101	65	82	70	105x2	2,760 kg
GDC-B 100x70	70x80x12	70x80x5/7	90x5	115	101	70	82	70	105x2	2,420 kg
GDC-B 100x75	75x85x12	75x87x12/7	90x5	115	101	75	82	70	105x2	2,030 kg
GDC-B 100x80	80x90x12	80x92x12/7	90x5	115	101	80	82	70	105x2	1,670 kg
GDC-B 110x50	50x60x10	50x60x5/7	100x5	130	111	50	82	70	115x2	4,650 kg
GDC-B 110x55	55x65x10	55x65x5/7	100x5	130	111	55	82	70	115x2	4,400 kg
GDC-B 110x56	56x66x10	56x66x5/7	100x5	130	111	56	82	70	115x2	4,380 kg
GDC-B 110x60	60x70x10	60x70x5/7	100x5	130	111	60	82	70	115x2	4,150 kg
GDC-B 110x65	65x75x10	65x75x5/7	100x5	130	111	65	82	70	115x2	3,820 kg
GDC-B 110x70	70x80x12	70x80x5/7	100x5	130	111	70	82	70	115x2	3,510 kg
GDC-B 110x75	75x85x12	75x87x12/7	100x5	130	111	75	82	70	115x2	3,110 kg
GDC-B 110x80	80x90x12	80x92x12/7	100x5	130	111	80	82	70	115x2	2,730 kg
GDC-B 115x50	50x60x10	50x60x5/7	105x5	130	116	50	82	70	120x2	5,150 kg
GDC-B 115x55	55x65x10	55x65x5/7	105x5	130	116	55	82	70	120x2	4,850 kg
GDC-B 115x60	60x70x10	60x70x5/7	105x5	130	116	60	82	70	120x2	4,580 kg
GDC-B 115x65	65x75x10	65x75x5/7	105x5	130	116	65	82	70	120x2	4,240 kg
GDC-K 115x70	70x80x12	70x80x5/7	105x5	130	116	70	82	70	120x2	3,940 kg
GDC-B 115x75	75x85x12	75x87x7/12	105x5	130	116	75	82	70	120x2	3,550 kg
GDC-K 115x80	80x90x12	80x92x7/12	105x5	130	116	80	82	70	120x2	3,180 kg
GDC-B 120x50	50x60x10	50x60x5/7	110x5	140	121	50	82	70	125x2	5,760 kg

CAST IRON GLAND



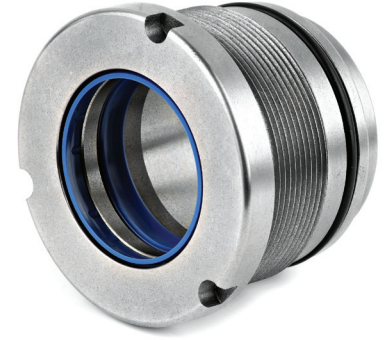
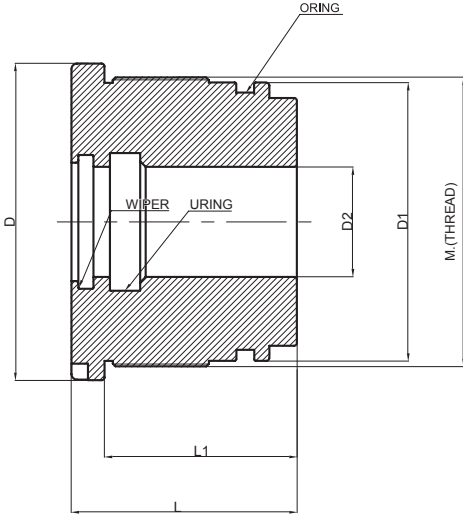
Gland (Cast Iron GG25 / GG26 DIN 1691)

CODE	U-RING	WIPER	ORING	D	D1	D2	L	L1	THREAD	kg
GDC-B 120x55	55x65x10	55x65x5/7	110x5	140	121	55	82	70	125x2	5,540 kg
GDC-B 120x60	60x70x10	60x70x5/7	110x5	140	121	60	82	70	125x2	5,250 kg
GDC-B 120x65	65x75x10	65x75x5/7	110x5	140	121	65	82	70	125x2	4,950 kg
GDC-B 120x70	70x80x12	70x80x5/7	110x5	140	121	70	82	70	125x2	4,630 kg
GDC-B 120x75	75x85x12	75x87x7/12	110x5	140	121	75	82	70	125x2	4,230 kg
GDC-B 120x80	80x90x12	80x92x7/12	110x5	140	121	80	82	70	125x2	3,860 kg
GDC-B 120x85	85x95x12	85x97x7/12	110x5	140	121	85	82	70	125x2	3,420 kg
GDC-B 120x90	90x100x12	90x102x7/12	110x5	140	121	90	82	70	125x2	3,050 kg
GDC-B 125x50	50x60x10	50x60x5/7	115x5	145	126	50	82	70	130x2	6,350 kg
GDC-B 125x55	55x65x10	55x65x5/7	115x5	145	126	55	82	70	130x2	6,090 kg
GDC-B 125x60	60x70x10	60x70x5/7	115x5	145	126	60	82	70	130x2	5,850 kg
GDC-B 125x65	65x75x10	65x75x5/7	115x5	145	126	65	82	70	130x2	5,490 kg
GDC-B 125x70	70x80x12	70x80x5/7	115x5	145	126	70	82	70	130x2	5,190 kg
GDC-B 125x75	75x85x12	75x87x7/12	115x5	145	126	75	82	70	130x2	4,850 kg
GDC-B 125x80	80x90x12	80x92x7/12	115x5	145	126	80	82	70	130x2	4,430 kg
GDC-B 125x85	85x95x12	85x97x7/12	115x5	145	126	85	82	70	130x2	4,050 kg
GDC-B 125x90	90x100x12	90x102x7/12	115x5	145	126	90	82	70	130x2	3,570 kg
GDC-B 130x60	60x70x10	60x70x5/7	120x6	150	131	60	102	90	135x2	7,830 kg
GDC-B 130x70	70x80x12	70x80x5/7	120x6	150	131	70	102	90	135x2	6,970 kg
GDC-B 130x80	80x90x12	80x92x7/12	120x6	150	131	80	102	90	135x2	6,120 kg
GDC-B 130x90	90x100x12	90x102x7/12	120x6	150	131	90	102	90	135x2	5,100 kg
GDC-B 130x100	100x115x12	100x112x7/12	120x6	150	131	100	102	90	135x2	3,890 kg
GDC-B 140x60	60x70x10	60x70x5/7	130x6	160	141	60	102	90	145x2	9,410 kg
GDC-B 140x65	65x75x10	65x75x5/7	130x6	160	141	65	102	90	145x2	9,030 kg
GDC-B 140x70	70x80x12	70x80x5/7	130x6	160	141	70	102	90	145x2	8,660 kg
GDC-B 140x80	80x90x12	80x92x7/12	130x6	160	141	80	102	90	145x2	7,700 kg
GDC-B 140x85	85x95x12	85x97x7/12	130x6	160	141	85	102	90	145x2	7,250 kg
GDC-B 140x90	90x100x12	90x102x7/12	130x6	160	141	90	102	90	145x2	6,680 kg
GDC-B 140x100	100x115x12	100x112x7/12	130x6	160	141	100	102	90	145x2	5,470 kg
GDC-B 150x60	60x70x10	60x70x5/7	140x6	170	151	60	102	90	155x2	11,070 kg
GDC-B 150x70	70x80x12	70x80x5/7	140x6	170	151	70	102	90	155x2	10,360 kg
GDC-B 150x80	80x90x12	80x92x7/12	140x6	170	151	80	102	90	155x2	9,340 kg
GDC-B 150x90	90x100x12	90x102x7/12	140x6	170	151	90	102	90	155x2	8,400 kg



Gland (Cast Iron GG25 / GG26 DIN 1691)

CODE	U-RING	WIPER	ORING	D	D1	D2	L	L1	THREAD	kg
GDC-B 150x100	100x115x12	100x112x7/12	140x6	170	151	100	102	90	155x2	7,150 kg
GDC-B 160x60	60x70x10	60x70x5/7	150x6	180	161	60	102	90	165x2	12,830 kg
GDC-B 160x70	70x80x12	70x80x5/7	150x6	180	161	70	102	90	165x2	12,190 kg
GDC-B 160x80	80x90x12	80x92x7/12	150x6	180	161	80	102	90	165x2	11,330 kg
GDC-B 160x90	90x100x12	90x102x7/12	150x6	180	161	90	102	90	165x2	10,210 kg
GDC-B 160x100	100x115x12	100x112x7/12	150x6	180	161	100	102	90	165x2	8,940 kg
GDC-B 160x110	110x125x12	110x122x7/12	150x6	180	161	110	102	90	165x2	7,750 kg
GDC-B 160x120	120x135x15	120x132x7/12	150x6	180	161	120	102	90	165x2	6,310 kg
GDC-B 170x80	80x90x12	80x92x7/12	160x6	190	171	80	102	90	175x2	13,530 kg
GDC-B 170x90	90x100x12	90x102x7/12	160x6	190	171	90	102	90	175x2	12,250 kg
GDC-B 170x100	100x115x12	100x112x7/12	160x6	190	171	100	102	90	175x2	10,860 kg
GDC-B 170x110	110x125x12	110x122x7/12	160x6	190	171	110	102	90	175x2	9,400 kg
GDC-B 170x120	120x135x15	120x132x7/12	160x6	190	171	120	102	90	175x2	8,000 kg
GDC-B 180x70	70x80x12	70x80x5/7	170x6	200	181	70	102	90	185x2	16,010 kg
GDC-B 180x80	80x90x12	80x92x7/12	170x6	200	181	80	102	90	185x2	15,100 kg
GDC-B 180x90	90x100x12	90x102x7/12	170x6	200	181	90	102	90	185x2	14,070 kg
GDC-B 180x100	100x115x12	100x112x7/12	170x6	200	181	100	102	90	185x2	12,810 kg
GDC-B 180x110	110x125x12	110x122x7/12	170x6	200	181	110	102	90	185x2	11,520 kg
GDC-B 180x120	120x135x15	120x132x7/12	170x6	200	181	120	102	90	185x2	10,170 kg
GDC-B 180x130	130x150x15	130x142x7/12	170x6	200	181	130	102	90	185x2	8,680 kg
GDC-B 180x140	140x160x15	140x152x7/12	170x6	200	181	140	102	90	185x2	6,930 kg
GDC-B 200x90	90x100x12	90x102x7/12	190x6	220	201	90	102	90	205x2	18,300 kg
GDC-B 200x100	100x115x12	100x112x7/12	190x6	220	201	100	102	90	205x2	17,400 kg
GDC-B 200x110	110x125x12	110x122x7/12	190x6	220	201	110	102	90	205x2	16,000 kg
GDC-B 200x120	120x135x15	120x132x7/12	190x6	220	201	120	102	90	205x2	14,590 kg
GDC-B 200x130	130x150x15	130x142x7/12	190x6	220	201	130	102	90	205x2	12,860 kg
GDC-B 200x140	140x160x15	140x152x7/12	190x6	220	201	140	102	90	205x2	11,330 kg
GDC-B 220x100	100x115x12	100x112x7/12	210x6	250	221	100	102	90	225x2	22,600 kg
GDC-B 220x110	110x125x12	110x122x7/12	210x6	250	221	110	102	90	225x2	21,100 kg
GDC-B 220x120	120x135x15	120x132x7/12	210x6	250	221	120	102	90	225x2	19,770 kg
GDC-B 220x130	130x150x15	130x142x7/12	210x6	250	221	130	102	90	225x2	18,100 kg
GDC-B 220x140	140x160x15	140x152x7/12	210x6	250	221	140	102	90	225x2	16,540 kg



CAST IRON DIN 1691 GG25 HYDRAULIC CYLINDER GLAND TECHNICAL PROPERTIES

CAST IRON WITH LAMELLAR GRAPHITE FOR GENERAL PURPOSES	
Tensile strength N/mm ² min	250
Hardness HB	180-250
Micro structure	Pearlitic (min%90)
Chemical analysis (For the parts with medium thickness)	C :3.00-3.25 Si :1.85-2.10 Mn :0.40-0.70 S :0.12 max P :0.25 max

EQUIVALENT STANDARTS	
TURKEY - TSE TS-552	DDL-25
EU - EN 1561	GJL 250
GERMANY - DIN 1691	GG 25
USA - ASTM A 4876	Class 35 B
G. BRITAIN - BS 1452	Grade 250
FRANCE - NF A32-101	Ft 25 D
ITALY - UNI 5007	GG 25
JAPAN - JIS G 5501	FC 250

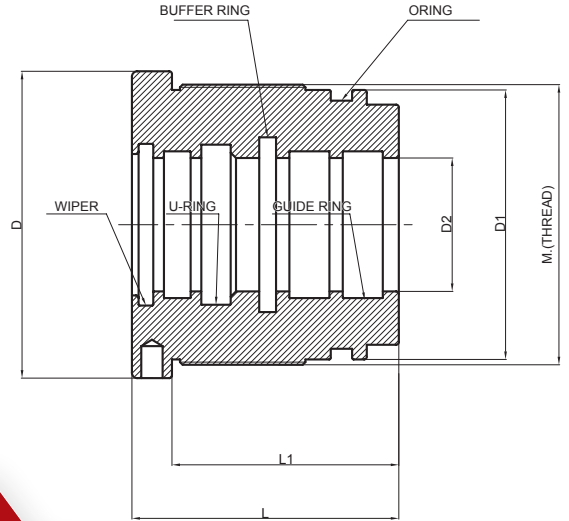
PRODUCT TYPE	WORKING PRESSURE	TEST PRESSURE	OPERATING TEMPERATURE
GG-25-26 Cast Iron Glands	320 BAR	400 BAR	-30° C +100° C

NOTE

Working and test pressure values may change according to different used sealing.

Above values are according to standard sealing.

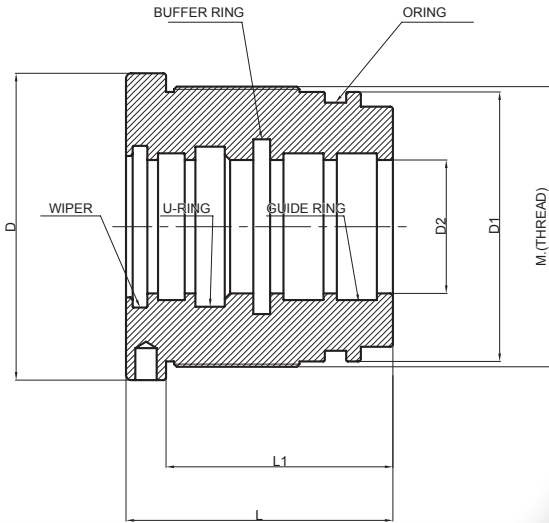
STEEL GLAND



Steel Gland (SAE 1040 / SAE 1050)

CODE	FIRST GUIDE RING	SECOND GUIDE RING	U-RING	WIPER	BUFFER RING	SUPPORT RING	ORING	D	D1	D2	L	L1	THREAD	kg
GDC-CB 40x20	20x24x9.5-1	-	20x28x5	20x28x5/7	-	36.4x41x1.25	36x3	50	41	21	50	40	44x1.5	0,380 kg
GDC-CB 40x22	22x26x9.5-1	-	22x30x5	22x30x5/7	-	36.4x41x1.25	36x3	50	41	23	50	40	44x1.5	0,340 kg
GDC-CB 40x25	25x29x9.5-1	-	25x35x6	25x33x5/7	-	36.4x41x1.25	36x3	50	41	26	50	40	44x1.5	0,290 kg
GDC-CB 40x28	28x32x9.5-1	-	28x38x6	28x36x5/7	-	36.4x41x1.25	36x3	50	41	29	50	40	44x1.5	0,310 kg
GDC-CB 50x25	25x29x9.5-1	-	25x35x6	25x33x5/7	-	45.5x51x1.25	44.45x3.53	60	51	26	50	40	54x1.5	0,560 kg
GDC-CB 50x28	28x32x9.5-1	-	28x38x6	28x36x5/7	-	45.5x51x1.25	44.45x3.53	60	51	29	50	40	54x1.5	0,510 kg
GDC-CB 50x30	30x35x15-1	-	30x40x8	30x38x5/7	-	45.5x51x1.25	44.45x3.53	60	51	31	50	40	54x1.5	0,440 kg
GDC-CB 50x35	35x40x15-1	-	35x45x8	35x43x5/7	-	45.5x51x1.25	44.45x3.53	60	51	36	50	40	54x1.5	0,330 kg
GDC-CB 55x30	30x35x15-1	-	30x40x8	30x38x5/7	-	50.5x56x1.25	50x3.53	65	56	31	50	40	59x1.5	0,425 kg
GDC-CB 55x35	35x40x15-1	-	35x45x8	35x43x5/7	-	50.5x56x1.25	50x3.53	65	56	36	50	40	59x1.5	0,500 kg
GDC-CB 60x30	30x35x15-2	-	30x40x8	30x38x5/7	-	55.5x61x1.25	53.57x3.53	70	61	31	70	58	65x1.5	1,100 kg
GDC-CB 60x35	35x40x15-2	-	35x45x8	35x43x5/7	-	55.5x61x1.25	53.57x3.53	70	61	36	70	58	65x1.5	0,980 kg
GDC-CB 60x40	40x45x15-2	-	40x50x10	40x48x5/7	-	55.5x61x1.25	53.57x3.53	70	61	41	70	58	65x1.5	0,780 kg
GDC-CB 60x45	45x50x15-2	-	45x55x10	45x55x5/7	-	55.5x61x1.25	53.57x3.53	70	61	46	70	58	65x1.5	0,590 kg
GDC-CB 63x30	30x35x15-2	-	30x40x8	30x38x5/7	-	58.5x64x1.25	57.15x3.53	75	64	31	70	58	69x1.5	1,340 kg
GDC-CB 63x35	35x40x15-2	-	35x45x8	35x43x5/7	-	58.5x64x1.25	57.15x3.53	75	64	36	70	58	69x1.5	1,130 kg
GDC-CB 63x40	40x45x15-2	-	40x50x10	40x48x5/7	-	58.5x64x1.25	57.15x3.53	75	64	41	70	58	69x1.5	0,990 kg
GDC-CB 63x45	45x50x15-2	-	45x55x10	45x55x5/7	-	58.5x64x1.25	57.15x3.53	75	64	46	70	58	69x1.5	0,790 kg
GDC-CB 65x30	30x35x15-2	-	30x40x8	30x38x5/7	-	60.5x66x1.25	59.92x3.53	80	66	31	70	58	69x1.5	1,440 kg
GDC-CB 65x35	35x40x15-2	-	35x45x8	35x43x5/7	-	60.5x66x1.25	59.92x3.53	80	66	36	70	58	69x1.5	1,200 kg
GDC-CB 65x40	40x45x15-2	-	40x50x10	40x48x5/7	-	60.5x66x1.25	59.92x3.53	80	66	41	70	58	69x1.5	0,990 kg
GDC-CB 65x45	45x50x15-2	-	45x55x10	45x55x5/7	-	60.5x66x1.25	59.92x3.53	80	66	46	70	58	69x1.5	0,890 kg
GDC-CB 70x30	30x35x15-2	-	30x40x8	30x38x5/7	-	65.5x71x1.25	65.10x3.53	85	71	31	70	58	75x2	1,900 kg
GDC-CB 70x35	35x40x15-2	-	35x45x8	35x43x5/7	-	65.5x71x1.25	65.10x3.53	85	71	36	70	58	75x2	1,590 kg
GDC-CB 70x40	40x45x9.5-2	-	40x50x10	40x48x5/7	40x55.5	65.5x71x1.25	65.10x3.53	85	71	41	70	58	75x2	1,370 kg
GDC-CB 70x45	45x50x9.5-2	-	45x55x10	45x55x5/7	45x60.5	65.5x71x1.25	65.10x3.53	85	71	46	70	58	75x2	1,150 kg
GDC-CB 70x50	50x55x15-2	-	50x60x10	50x60x5/7	-	65.5x71x1.25	65.10x3.53	85	71	51	70	58	75x2	0,970 kg
GDC-CB 70x55	55x60x15-2	-	55x65x10	55x65x5/7	-	65.5x71x1.25	65.10x3.53	85	71	56	70	58	75x2	0,750 kg
GDC-CB 75x40	40x45x9.5-2	-	40x50x10	40x48x5/7	40x55.5	70.5x76x1.25	69.85x3.53	90	76	41	70	58	80x2	1,690 kg
GDC-CB 75x45	45x50x9.5-2	-	45x55x10	45x55x5/7	45x60.5	70.5x76x1.25	69.85x3.53	90	76	46	70	58	80x2	1,480 kg
GDC-CB 75x50	50x55x9.5-2	-	50x60x10	50x60x5/7	50x65.5	70.5x76x1.25	69.85x3.53	90	76	51	70	58	80x2	1,450 kg
GDC-CB 75x55	55x60x15-2	-	55x65x10	55x65x5/7	-	70.5x76x1.25	69.85x3.53	90	76	56	70	58	80x2	1,030 kg
GDC-CB 80x30	30x35x15-2	-	30x40x8	30x38x5/7	-	75.5x81x1.25	73.03x3.53	95	81	31	70	58	85x2	2,580 kg
GDC-CB 80x35	35x40x15-2	-	35x45x8	35x43x5/7	-	75.5x81x1.25	73.03x3.53	95	81	36	70	58	85x2	2,250 kg
GDC-CB 80x40	40x45x9.5-2	-	40x50x10	40x48x5/7	40x55.5	75.5x81x1.25	73.03x3.53	95	81	41	70	58	85x2	2,030 kg
GDC-CB 80x45	45x50x9.5-2	-	45x55x10	45x55x5/7	45x60.5	75.5x81x1.25	73.03x3.53	95	81	46	70	58	85x2	1,820 kg
GDC-CB 80x50	50x55x9.5-2	-	50x60x10	50x60x5/7	50x65.5	75.5x81x1.25	73.03x3.53	95	81	51	70	58	85x2	1,590 kg
GDC-CB 80x55	55x60x9.5-2	-	55x65x10	55x65x5/7	-	75.5x81x1.25	73.03x3.53	95	81	56	70	58	85x2	1,390 kg

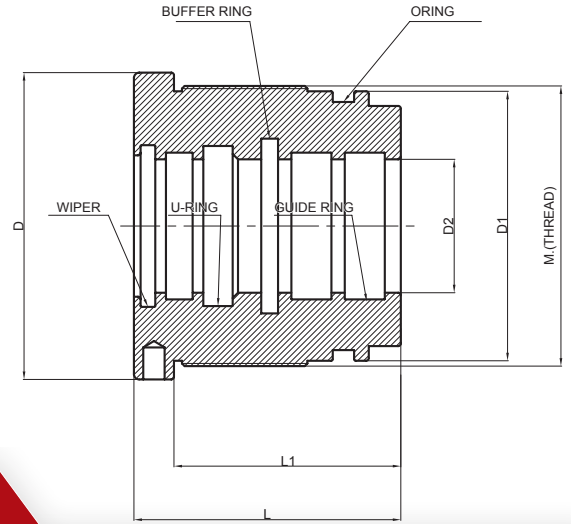
STEEL GLAND



Steel Gland (SAE 1040 / SAE 1050)

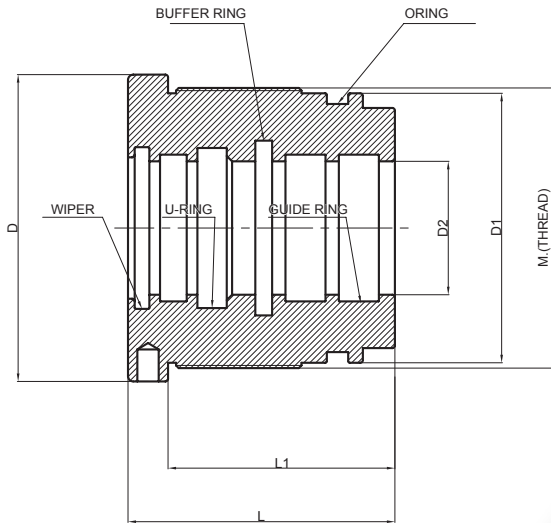
CODE	FIRST GUIDE RING	SECOND GUIDE RING	U-RING	WIPER	BUFFER RING	SUPPORT RING	ORING	D	D1	D2	L	L1	THREAD	kg
GDC-CB 80x60	60x65x15-2	-	60x70x10	60x70x5/7	-	75.5x81x1.25	73.03x3.53	95	81	61	70	58	85x2	1,120 kg
GDC-CB 85x40	40x45x9.5-2	-	40x50x10	40x48x5/7	40x55.5	79.7x86x1.40	78x4	100	86	41	70	58	90x2	2,410 kg
GDC-CB 85x45	45x50x9.5-2	-	45x55x10	45x55x5/7	45x60.5	79.7x86x1.40	78x4	100	86	46	70	58	90x2	2,200 kg
GDC-CB 85x50	50x55x9.5-2	-	50x60x10	50x60x5/7	50x65.5	79.7x86x1.40	78x4	100	86	51	70	58	90x2	1,980 kg
GDC-CB 85x60	60x65x9.5-2	-	60x70x10	60x70x5/7	60x75.5	79.7x86x1.40	78x4	100	86	61	70	58	90x2	1,450 kg
GDC-CB 90x40	40x45x9.5-2	-	40x50x10	40x48x5/7	40x55.5	84.7x91x1.40	84x4	105	91	41	70	58	95x2	2,800 kg
GDC-CB 90x45	45x50x9.5-2	-	45x55x10	45x55x5/7	45x60.5	84.7x91x1.40	84x4	105	91	46	70	58	95x2	2,580 kg
GDC-CB 90x50	50x55x9.5-2	-	50x60x10	50x60x5/7	50x65.5	84.7x91x1.40	84x4	105	91	51	70	58	95x2	2,350 kg
GDC-CB 90x55	55x60x9.5-2	-	55x65x10	55x65x5/7	55x70.5	84.7x91x1.40	84x4	105	91	56	70	58	95x2	2,100 kg
GDC-CB 90x60	60x65x9.5-2	-	60x70x10	60x70x5/7	60x75.5	84.7x91x1.40	84x4	105	91	61	70	58	95x2	1,830 kg
GDC-CB90x70	70x75x15-2	-	70x80x12	70x80x5/7	-	84.7x91x1.40	84x4	105	91	71	70	58	95x2	1,260 kg
GDC-CB 100x35	35x40x15-2	35x40x9.5-1	35x45x8	35x43x5/7	-	93x101x1.65	90x5	115	101	36	100	85	107x2	6,050 kg
GDC-CB 100x40	40x45x15-2	40x45x9.5-1	40x50x10	40x48x5/7	40x55.5	93x101x1.65	90x5	115	101	41	100	85	107x2	5,380 kg
GDC-CB 100x50	50x55x15-2	50x55x9.5-1	50x60x10	50x60x5/7	50x65.5	93x101x1.65	90x5	115	101	51	100	85	107x2	4,690 kg
GDC-CB 100x55	55x60x15-2	55x60x9.5-1	55x65x10	55x65x5/7	-	93x101x1.65	90x5	115	101	56	100	85	107x2	4,340 kg
GDC-CB 100x60	60x65x15-2	60x65x9.5-1	60x70x10	60x70x5/7	60x75.5	93x101x1.65	90x5	115	101	61	100	85	107x2	3,960 kg
GDC-CB 100x65	65x70x15-2	65x70x9.5-1	65x75x10	65x75x5/7	65x80.5	93x101x1.65	90x5	115	101	66	100	85	107x2	3,540 kg
GDC-CB 100x70	70x75x15-2	70x75x9.5-1	70x80x12	70x80x5/7	70x85.5	93x101x1.65	90x5	115	101	71	100	85	107x2	3,080 kg
GDC-CB 100x80	80x85x15-2	80x85x9.5-1	80x90x12	80x92x7/12	-	93x101x1.65	90x5	115	101	81	100	85	107x2	2,200 kg
GDC-CB 110x50	50x55x15-2	50x55x9.5-1	50x60x10	50x60x5/7	50x65.5	103x111x1.65	100x5	130	111	51	100	85	117x2	6,250 kg
GDC-CB 110x60	60x65x15-2	60x65x9.5-1	60x70x10	60x70x5/7	60x75.5	103x111x1.65	100x5	130	111	61	100	85	117x2	5,350 kg
GDC-CB 110x70	70x75x15-2	70x75x9.5-1	70x80x12	70x80x5/7	70x85.5	103x111x1.65	100x5	130	111	71	100	85	117x2	4,470 kg
GDC-CB 110x80	80x85x15-2	80x85x9.5-1	80x90x12	80x92x7/12	80x95.5	103x111x1.65	100x5	130	111	81	100	85	117x2	3,440 kg
GDC-CB 115x60	60x65x15-2	60x65x9.5-1	60x70x10	60x70x5/7	60x75.5	108x116x1.65	105x5	130	116	61	100	85	122x2	5,950 kg
GDC-CB 115x70	70x75x15-2	70x75x9.5-1	70x80x12	70x80x5/7	70x85.5	108x116x1.65	105x5	130	116	71	100	85	122x2	5,090 kg
GDC-CB 115x80	80x85x15-2	80x85x9.5-1	80x90x12	80x92x7/12	80x95.5	108x116x1.65	105x5	130	116	81	100	85	122x2	4,060 kg
GDC-CB 120x60	60x65x15-2	60x65x9.5-1	60x70x10	60x70x5/7	60x75.5	113x121x1.65	110x5	140	121	61	100	85	127x2	6,890 kg
GDC-CB 120x65	65x70x15-2	65x70x9.5-1	65x75x10	65x75x5/7	65x80.5	113x121x1.65	110x5	140	121	66	100	85	127x2	4,430 kg
GDC-CB 120x70	70x75x15-2	70x75x9.5-1	70x80x12	70x80x5/7	70x85.5	113x121x1.65	110x5	140	121	71	100	85	127x2	5,970 kg
GDC-CB 120x75	75x80x15-2	75x80x9.5-1	75x85x12	75x87x7/12	75x90.5	113x121x1.65	110x5	140	121	76	100	85	127x2	5,440 kg
GDC-CB 120x80	80x85x15-2	80x85x9.5-1	80x90x12	80x92x7/12	80x95.5	113x121x1.65	110x5	140	121	81	100	85	127x2	4,910 kg
GDC-CB 125x60	60x65x15-2	60x65x9.5-1	60x70x10	60x70x5/7	60x75.5	118x126x1.65	115x5	145	126	61	100	85	132x2	8,240 kg
GDC-CB 125x65	65x70x15-2	65x70x9.5-1	65x75x10	65x75x5/7	65x80.5	118x126x1.65	115x5	145	126	66	100	85	132x2	7,200 kg
GDC-CB 125x70	70x75x15-2	70x75x9.5-1	70x80x12	70x80x5/7	70x85.5	118x126x1.65	115x5	145	126	71	100	85	132x2	6,770 kg
GDC-CB 125x75	75x80x15-2	75x80x9.5-1	75x85x12	75x87x7/12	75x90.5	118x126x1.65	115x5	145	126	76	100	85	132x2	6,260 kg
GDC-CB 125x80	80x85x15-2	80x85x9.5-1	80x90x12	80x92x7/12	80x95.5	118x126x1.65	115x5	145	126	81	100	85	132x2	5,710 kg
GDC-CB 125x90	90x95x15-2	90x95x9.5-1	90x100x12	90x102x7/12	90x105.5	118x126x1.65	115x5	145	126	91	100	85	132x2	4,600 kg
GDC-CB 130x70	70x75x15-2	70x75x9.5-1	70x80x12	70x80x5/7	70x85.5	121.1x131x1.90	120x6	150	131	71	100	85	137x2	7,450 kg

STEEL GLAND



Steel Gland (SAE 1040 / SAE 1050)

CODE	FIRST GUIDE RING	SECOND GUIDE RING	U-RING	WIPER	BUFFER RING	SUPPORT RING	ORING	D	D1	D2	L	L1	THREAD	kg
GDC-CB 130x80	80x85x15-2	80x85x9.5-1	80x90x12	80x92x7/12	80x95.5	121.1x131x1.90	120x6	150	131	81	100	85	137x2	6,430 kg
GDC-CB 130x90	90x95x15-2	90x95x9.5-1	90x100x12	90x102x7/12	90x105.5	121.1x131x1.90	120x6	150	131	91	100	85	137x2	5,320 kg
GDC-CB 140x70	70x75x15-2	70x75x9.5-1	70x80x12	70x80x5/7	70x85.5	131.1x141x1.90	130x6	160	141	71	100	85	147x2	9,160 kg
GDC-CB 140x80	80x85x15-2	80x85x9.5-1	80x90x12	80x92x7/12	80x95.5	131.1x141x1.90	130x6	160	141	81	100	85	147x2	8,110 kg
GDC-CB 140x90	90x95x15-2	90x95x9.5-1	90x100x12	90x102x7/12	90x105.5	131.1x141x1.90	130x6	160	141	91	100	85	147x2	7,000 kg
GDC-CB 140x100	100x105x15-2	100x105x9.5-1	100x115x12	100x112x7/12	100x115.5	131.1x141x1.90	130x6	160	141	101	100	85	147x2	5,760 kg
GDC-CB 150x80	80x85x15-2	80x85x9.5-1	80x90x12	80x92x7/12	80x95.5	141.1x151x1.90	140x6	170	151	81	100	85	157x2	9,840 kg
GDC-CB 150x90	90x95x15-2	90x95x9.5-1	90x100x12	90x102x7/12	90x105.5	141.1x151x1.90	140x6	170	151	91	100	85	157x2	8,720 kg
GDC-CB 150x100	100x105x15-2	100x105x9.5-1	100x115x12	100x112x7/12	100x115.5	141.1x151x1.90	140x6	170	151	101	100	85	157x2	7,380 kg
GDC-CB 160x80	80x85x15-2	80x85x9.5-1	80x90x12	80x92x7/12	80x95.5	151.1x161x1.90	150x6	180	161	81	100	85	167x2	11,700 kg
GDC-CB 160x90	90x95x15-2	90x95x9.5-1	90x100x12	90x102x7/12	90x105.5	151.1x161x1.90	150x6	180	161	91	100	85	167x2	10,570 kg
GDC-CB 160x100	100x105x15-2	100x105x9.5-1	100x115x12	100x112x7/12	100x115.5	151.1x161x1.90	150x6	180	161	101	100	85	167x2	9,250 kg
GDC-CB 160x110	110x115x15-2	110x115x9.5-1	110x125x12	110x122x7/12	110x125.5	151.1x161x1.90	150x6	180	161	111	100	85	167x2	7,890 kg
GDC-CB 160x120	120x125x15-2	120x125x9.5-1	120x135x15	120x132x7/12	120x135.5	151.1x161x1.90	150x6	180	161	121	100	85	167x2	6,330 kg
GDC-CB 180x80	80x85x15-2	80x85x9.5-1	80x90x12	80x92x7/12	80x95.5	171.1x181x1.90	170x6	210	181	81	100	85	187x2	16,310 kg
GDC-CB 180x90	90x95x15-2	90x95x9.5-1	90x100x12	90x102x7/12	90x105.5	171.1x181x1.90	170x6	210	181	91	100	85	187x2	15,180 kg
GDC-CB 180x100	100x105x15-2	100x105x9.5-1	100x115x12	100x112x7/12	100x115.5	171.1x181x1.90	170x6	210	181	101	100	85	187x2	13,850 kg
GDC-CB 180x110	110x115x15-2	110x115x9.5-1	110x125x12	110x122x7/12	110x125.5	171.1x181x1.90	170x6	210	181	111	100	85	187x2	12,460 kg
GDC-CB 180x120	120x125x15-2	120x125x9.5-1	120x135x15	120x132x7/12	120x135.5	171.1x181x1.90	170x6	210	181	121	100	85	187x2	10,920 kg
GDC-CB 200x80	80x85x15-2	80x85x9.5-1	80x90x12	80x92x7/12	80x95.5	-	190x6	230	201	81	100	85	207x2	21,130 kg
GDC-CB 200x90	90x95x15-2	90x95x9.5-1	90x100x12	90x102x7/12	90x105.5	-	190x6	230	201	91	100	85	207x2	20,900 kg
GDC-CB 200x100	100x105x15-2	100x105x9.5-1	100x115x12	100x112x7/12	100x115.5	-	190x6	230	201	101	100	85	207x2	19,050 kg
GDC-CB 200x110	110x115x15-2	110x115x9.5-1	110x125x12	110x122x7/12	110x125.5	-	190x6	230	201	111	100	85	207x2	17,180 kg
GDC-CB 200x120	120x125x15-2	120x125x9.5-1	120x135x15	120x132x7/12	120x135.5	-	190x6	230	201	121	100	85	207x2	15,400 kg
GDC-CB 200x130	130x135x15-2	130x135x9.5-1	130x150x105	130x142x7/12	130x145.5	-	190x6	230	201	131	100	85	207x2	13,830 kg
GDC-CB 200x140	140x145x15-2	140x145x9.7-1	140x160x15	140x152x7/12	140x155.5	-	190x6	230	201	141	100	85	207x2	12,400 kg
GDC-CB 220x100	100x105x15-2	100x105x9.7-1	100x115x12	100x112x7/12	100x115.5	-	210x6	250	221	101	110	90	227x2.5	22,350 kg
GDC-CB 220x110	110x115x15-2	100x115x9.7-1	110x125x12	110x122x7/12	110x125.5	-	210x6	250	221	111	110	90	227x2.5	21,100 kg
GDC-CB 220x120	120x125x15-2	120x125x9.7-1	120x135x15	120x132x7/12	120x135.5	-	210x6	250	221	121	110	90	227x2.5	19,770 kg
GDC-CB 220x130	130x135x15-2	130x135x9.5-1	130x150x15	130x142x7/12	130x145.5	-	210x6	250	221	131	110	90	227x2.5	18,150 kg
GDC-CB 220x140	140x145x15-2	140x145x9.7-1	140x160x15	140x152x7/12	140x155.5	-	210x6	250	221	141	110	90	227x2.5	16,530 kg
GDC-CB 220x150	150x155x15-2	150x155x9.7-1	150x170x15	150x162x7/12	-	-	210x6	250	221	151	110	90	227x2.5	15,100 kg
GDC-CB 220x160	160x165x15-2	160x165x9.7-1	160x180x15	160x172x7/12	-	-	210x6	250	221	161	110	90	227x2.5	13,700 kg
GDC-CB 250x100	100x105x15-2	100x105x9.7-1	100x115x12	100x112x7/12	100x115.5	-	240x6	300	251	101	110	90	247x2.5	38,680 kg
GDC-CB 250x110	110x115x15-2	110x115x9.7-1	110x125x12	110x122x7/12	110x125.5	-	240x6	300	251	111	110	90	247x2.5	36,550 kg
GDC-CB 250x120	120x125x15-2	120x125x9.7-1	120x135x15	120x132x7/12	120x135.5	-	240x6	300	251	121	110	90	247x2.5	34,300 kg
GDC-CB 250x130	130x135x15-2	130x135x9.5-1	130x150x15	130x142x7/12	130x145.5	-	240x6	300	251	131	110	90	247x2.5	32,400 kg
GDC-CB 250x140	140x145x15-2	140x145x9.7-1	140x160x15	140x152x7/12	140x155.5	-	240x6	300	251	151	110	90	247x2.5	30,550 kg
GDC-CB 250x150	150x155x15-2	150x155x9.7-1	150x170x15	150x162x7/12	-	-	240x6	300	251	151	110	90	247x2.5	28,400 kg
GDC-CB 250x160	160x165x15-2	160x165x9.7-1	160x180x15	160x172x7/12	-	-	240x6	300	251	161	110	90	247x2.5	26,520 kg



SAE 1050 / SAE 1040 GRADE STEEL HYDRAULIC CYLINDER GLAND TECHNICAL PROPERTIES

MECHANICAL PROPERTIES	MATERIAL	Yield point N/mm ²	Ultimate Tensile strength N/mm ²	Elongation
	SAE 1040	600	600-650	25
	SAE 1050	750	700-750	20

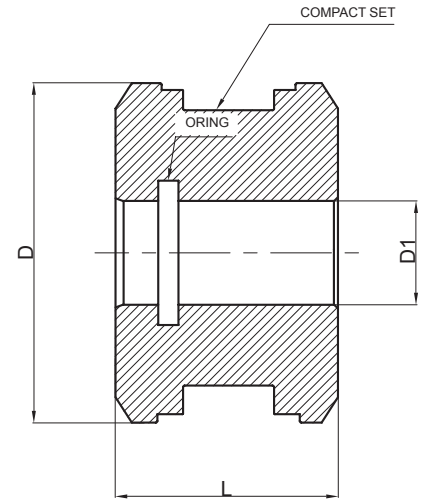
CHEMICAL PROPERTIES	MATERIAL	W.No	C %	Mn %	Si %
	SAE 1040	1.1186	0.37-0.44	0.50-0.80	0.40
	SAE 1050	1.1206	0.47-0.55	0.60-0.90	0.40

PRODUCT TYPE	WORKING PRESSURE	TEST PRESSURE	OPERATING TEMPERATURE
SAE 1040 / 1050 Gland	400 BAR	600 BAR	-30° C +105° C

NOTE

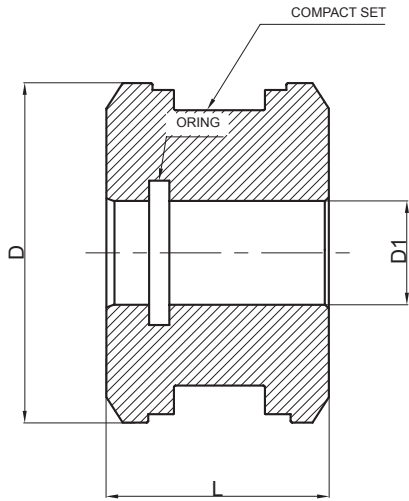
Working and test pressure values may change according to different used sealing.

Above values are according to standard sealing.



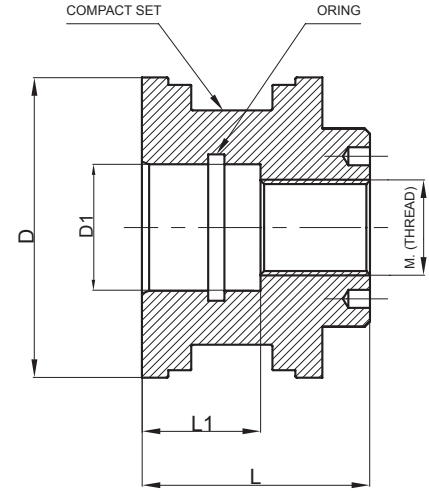
Piston (Steel SAE 1040 / SAE 1050)

CODE	COMPACT SET	ORING	D	D1	L	kg
GDC-P 32x15	32x24x15.5x3.10	YOK	32	15	32	0,100 kg
GDC-P 35x16	35x25x16.4x6,35	16x3	35	16	40	0,150 kg
GDC-P 40x16	40x32x15.5x3,20	16x3	40	16	40	0,250 kg
GDC-P 40x20	40x32x15.5x3,20	20x3	40	20	40	0,210 kg
GDC-P 45x20	45x35x16,4x6,35	20x3	45	20	40	0,270 kg
GDC-P 50x16	50x38x20,5x4,20	16x3	50	16	40	0,370 kg
GDC-P 50x20	50x38x20,5x4,20	20x3	50	20	40	0,330 kg
GDC-P 50x30	50x38x20,5x4,20	30x3	50	30	40	0,210 kg
GDC-P 55x20	55x39x20,5x3,10	20x3	55	20	40	0,400 kg
GDC-P 60x20	60x48x20,5x4,20	20x3	60	20	40	0,570 kg
GDC-P 63x25	63x51x20,5x4,20	25x3	63	25	40	0,580 kg
GDC-P 63x30	63x51x20,5x4,20	30x3	63	30	40	0,520 kg
GDC-P 65x25	65x49x20,5x3,10	25x3	65	25	40	0,580 kg
GDC-P 70x25	70x58x20,5x4,20	25x3	70	25	40	0,790 kg
GDC-P 70x30	70x58x20,5x4,20	30x3	70	30	40	0,720 kg
GDC-P 75x32	75x55x22,4x6,35	32x3	75	32	50	0,900 kg
GDC-P 80x27	80x66x22,4x5,20	27x3	80	27	50	1,330 kg
GDC-P 80x30	80x66x22,4x5,20	30x3	80	30	50	1,280 kg



Piston (Steel SAE 1040 / SAE 1050)

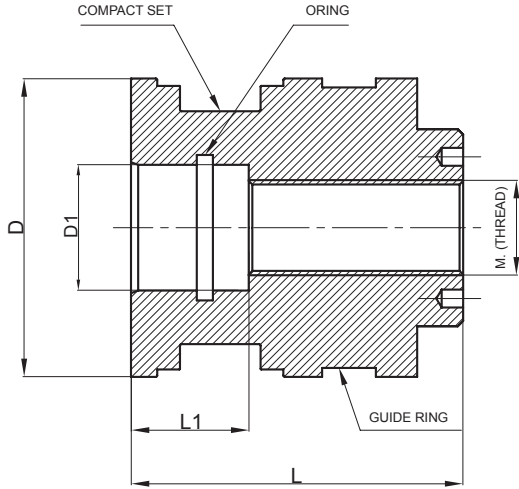
CODE	COMPACT SET	ORING	D	D1	L	kg
GDC-P 85x32	85x65x22,4x6,35	32x3	85	32	50	1,320 kg
GDC-P 90x30	90x76x22,4x5,20	30x3	90	30	50	1,750 kg
GDC-P 100x33	100x86x22,4x5,20	33x3	100	33	50	2,220 kg
GDC-P 100x40	100x86x22,4x5,20	40x4	100	40	50	2,050 kg
GDC-P 110x40	110x96x22,4x5,20	40x4	110	40	50	2,640 kg
GDC-P 115x40	115x101x22,4x5,20	40x4	115	40	50	3,030 kg
GDC-P 120x40	120x106x22,4x5,20	40x4	120	40	50	3,270 kg
GDC-P 125x40	125x103x26,5x5,10	40x4	125	40	50	3,290 kg
GDC-P 130x40	130x105x25,4x6,35	40x4	130	40	60	4,320 kg
GDC-P 140x40	140x123x26,5x7,20	40x4	140	40	60	5,570 kg
GDC-P 150x40	150x125x25,4x6,35/1	40x4	150	40	60	6,150 kg
GDC-P 160x50	160x143x26,5x7,20	50x4	160	50	60	7,240 kg
GDC-P 170x50	170x145x25,4x12,70	50x4	170	50	65	12,640 kg
GDC-P 180x50	180x163x26,5x7,20	50x4	180	50	60	9,600 kg
GDC-P 190x50	190x165x25,4x12,7	50x4	190	50	65	11,100 kg
GDC-P 200x55	200x175x25,4x12,70/1	55x4	200	55	65	12,630 kg
GDC-P 220x70	220x190x35,4x6,35/1	70x4	220	70	70	15,610 kg
GDC-P 250x80	250x225x25,4x12,70	80x4	250	80	70	21,410 kg



Piston With Thread (Steel SAE 1040 / SAE 1050)

CODE	COMPACT SET	ORING	D	D1	L	L1	THREAD	kg
GDC-PV-40	40x32x15,5x3,20	20,22x3,53	40	20	45	22.5	18x1,5	0,230 kg
GDC-PV-45	45x35x16,40x6,35	20,22x3,53	45	20	45	22.5	18x1,5	0,300 kg
GDC-PV-50	50x38x20,5x4,20	24,99x3,53	50	25	45	22.5	20x2	0,350 kg
GDC-PV-55	55x39x20,5x3,10	24,99x3,53	55	25	45	22.5	20x2	0,420 kg
GDC-PV-60	60x48x20,5x3,10	29,75x3,53	60	30	45	22.5	27x2	0,510 kg
GDC-PV-63	63x51x20,5x4,20	29,75x3,53	63	30	45	22.5	27x2	0,600 kg
GDC-PV-65	65x49x20,5x3,10	29,75x3,53	65	30	45	22.5	27x2	0,550 kg
GDC-PV-70	70x58x20,5x4,20	29,75x3,53	70	30	45	22.5	27x2	0,820 kg
GDC-PV-75	75x55x22,4x6,35	29,75x3,53	75	30	50	25	27x2	0,970 kg
GDC-PV-80	80x66x22,4x5,20	34,52x3,53	80	35	50	25	30x2	1,200 kg
GDC-PV-85	85x65x22,4x6,35	39,70x3,53	85	40	50	25	35x2	1,200 kg
GDC-PV-90	90x76x22,4x5,20	39,70x3,53	90	40	50	25	35x2	1,560 kg
GDC-PV-100	100x86x22,4x5,20	45x4	100	45	50	25	40x2	1,920 kg
GDC-PV-110	110x96x22,4x5,20	45x4	110	45	50	25	40x2	2,500 kg
GDC-PV-115	115x101x22,4x5,20	45x4	115	45	50	25	40x2	2,860 kg
GDC-PV-120	120x106x22,4x5,20	50x4	120	50	50	25	45x2	3,000 kg
GDC-PV-125	125x103x26,5x5,10	50x4	125	50	60	30	45x2	3,750 kg
GDC-PV-130	130x105x25,4x6,35	60x4	130	60	60	30	50x2	3,650 kg
GDC-PV-140	140x123x26,5x7,20	60x4	140	60	60	30	55x2	4,850 kg
GDC-PV-150	150x125x25,4x6,35/1	65x4	150	65	60	30	60x2	5,150 kg
GDC-PV-160	160x143x26,5x7,20	65x4	160	65	60	30	60x2	6,660 kg
GDC-PV-170	170x145x25,4x12,70	70x4	170	70	65	30	65x2	7,670 kg
GDC-PV-180	180x163x26,5x7,20	75x4	180	75	60	30	70x2	8,530 kg
GDC-PV-190	190x165x22,4x12,7	85x4	190	85	65	30	75x2	10,750 kg
GDC-PV-200	200x175x25,40x12,70/1	80x5	200	80	70	30	75x2	12,110 kg
GDC-PV-220	220x190x35,40x6,35/1	90x5	220	90	70	30	85x2	13,940 kg
GDC-PV-230	230x205x25,4x12,70	100x5	230	100	70	30	95x2.5	15,570 kg
GDC-PV-250	250x225x25,40x12,70	100x5	250	100	70	30	95x2.5	19,180 kg

PISTON WITH GUIDE RING



Piston With Guide Ring (Steel SAE 1040 / SAE 1050)

CODE	COMPACT SET	GUIDE RING	ORING	D	D1	L	L1	THREAD	kg
GDC-PV-Y50	50x38x20,5x4,20	45x50x15	24,99x3,53	50	25	65	30	22x1,5	0,520 kg
GDC-PV-Y60	60x48x20,5x4,20	55x60x15	29,75x3,53	60	30	65	30	27x2	0,800 kg
GDC-PV-Y63	63x51x20,5x4,20	58x63x9,5	29,75x3,53	63	30	65	30	27x2	0,910 kg
GDC-PV-Y70	70x58x20,5x4,20	65x70x15	29,75x3,53	70	30	65	30	27x2	1,270 kg
GDC-PV-Y80	80x66x22,4x5,20	75x80x15	34,52x3,53	80	35	70	30	30x2	1,770 kg
GDC-PV-Y90	90x76x22,4x5,20	85x90x15	39,70x3,53	90	40	70	30	35x2	2,280 kg
GDC-PV-Y100	100x86x22,4x5,20	95x100x15	45x4	100	45	70	30	40x2	2,850 kg
GDC-PV-Y110	110x96x22,4x5,20	105x110x15	45x4	110	45	70	30	40x2	3,680 kg
GDC-PV-Y115	115x101x22,4x5,20	110x115x15	45x4	115	45	70	30	40x2	4,130 kg
GDC-PV-Y120	120x106x22,4x5,20	115x120x15	50x4	120	50	70	30	45x2	4,410 kg
GDC-PV-Y125	125x103x26,5x5,10	120x125x15	50x4	125	60	70	30	50x2	4,250 kg
GDC-PV-Y130	130x105x26,5x7,20	125x130x15	60x4	130	60	70	30	50x2	4,530 kg
GDC-PV-Y140	140x123x26,5x7,20	135x140x15	60x4	140	60	80	30	55x2	6,790 kg
GDC-PV-Y150	150x125x25,4x6,35/1	145x150x15	65x4	150	65	80	30	60x2	7,340 kg
GDC-PV-Y160	160x143x26,5x7,20	155x160x15	65x4	160	65	80	30	60x2	9,260 kg
GDC-PV-Y180	180x163x26,5x7,20	175x180x15	75x4	180	75	80	30	70x2	11,750 kg
GDC-PV-Y200	200x175x25,40x12,70/1	195x200x15	80x5	200	80	85	35	75x2	15,260 kg
GDC-PV-Y220	220x190x35,40x6,35/1	215x220x15	100x5	220	100	90	40	95x2	17,580 kg
GDC-PV-Y250	250x225x25,40x12,70	245x250x15	100x5	250	100	90	40	95x2	25,390 kg

Piston With Guide Ring (Steel SAE 1040 / SAE 1050)

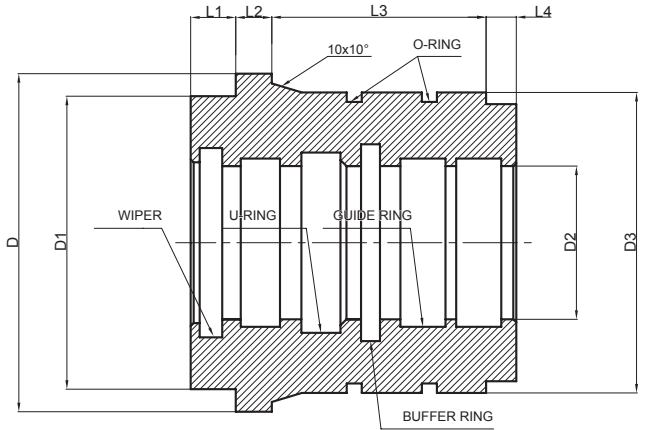
MECHANICAL PROPERTIES	MATERIAL	Yield point N/mm ²	Ultimate Tensile strength N/mm ²	Elongation
	SAE 1040	600	600-650	25
	SAE 1050	750	700-750	20

CHEMICAL PROPERTIES	MATERIAL	W.No	C %	Mn %	Si %
	SAE 1040	1.1186	0.37-0.44	0.50-0.80	0.40
	SAE 1050	1.1206	0.47-0.55	0.60-0.90	0.40

PRODUCT TYPE	WORKING PRESSURE	TEST PRESSURE	OPERATING TEMPERATURE
SAE 1040 / 1050 Gland	400 BAR	600 BAR	-30° C +105° C

NOTE

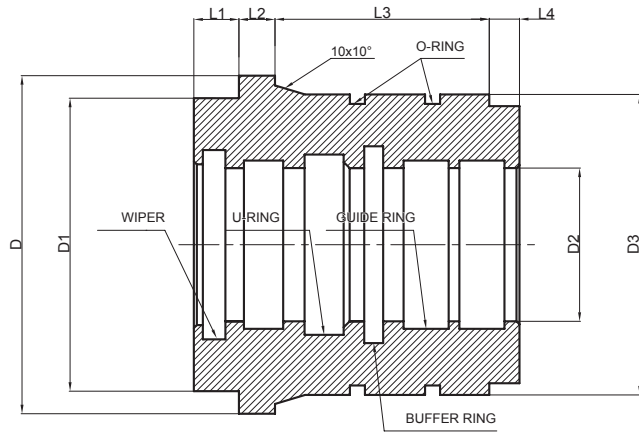
Working and test pressure values may change according to different used sealing.
Above values are according to standard sealing.



Mobile Crane Rod Gland

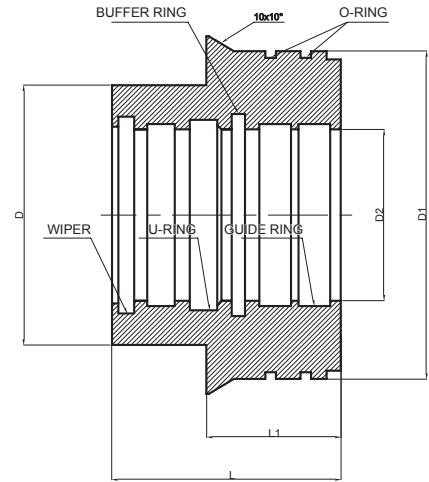
CODE	GUIDE RING	URING	BUFFER RING	WIPER	ORING	D	D1	D2	D3	L1	L2	L3	L4	kg
GDC-UK-50x30	30x35x15	30x40x8	-	30x38x5/7	41x4	56	45	31	50	12	8	52	8	0,920 kg
GDC-UK-63x40	40x45x15x3	40x50x10	-	40x48x5/7	56x4	71	60	41	63	15	12	68	10	1,250 kg
GDC-UK-63x45	45x50x15x3	45x55x10	-	45x55x5/7	56x4	71	60	46	63	15	12	68	10	0,950 kg
GDC-UK-70x40	40x45x15x3	40x50x10	40x55.5x6.3	40x48x5/7	62x4	81	70	41	70	15	12	68	10	1,850 kg
GDC-UK-70x45	45x50x15x3	45x55x10	45x60.5x6.3	45x55x5/7	62x4	81	70	46	70	15	12	68	10	1,570 kg
GDC-UK-70x50	50x55x15x3	50x60x10	-	50x60x5/7	62x4	81	70	51	70	15	12	68	10	1,300 kg
GDC-UK-70x55	55x60x15x3	55x65x10	-	55x65x5/7	62x4	81	70	56	70	15	12	68	10	0,980 kg
GDC-UK-80x40	40x45x15x3	40x50x10	40x55.5x6.3	40x48x5/7	73x4	91	75	41	80	15	12	68	10	2,750 kg
GDC-UK-80x45	45x50x15x3	45x55x10	45x60.5x6.3	45x55x5/7	73x4	91	75	46	80	15	12	68	10	2,430 kg
GDC-UK-80x50	50x55x15x3	50x60x10	50x65.5x6.3	50x60x5/7	73x4	91	75	51	80	15	12	68	10	2,080 kg
GDC-UK-80x55	55x60x15x3	55x65x10	55x70.5x6.3	55x65x5/7	73x4	91	75	56	80	15	12	68	10	1,710 kg
GDC-UK-80x60	60x65x15x3	60x70x10	-	60x70x5/7	73x4	91	75	61	80	15	12	68	10	1,410 kg
GDC-UK-90x40	40x45x15x3	40x50x10	40x55.5x6.3	40x48x5/7	82x4	100	85	41	90	15	12	68	10	3,810 kg
GDC-UK-90x45	45x50x15x3	45x55x10	45x60.5x6.3	45x55x5/7	82x4	100	85	46	90	15	12	68	10	3,520 kg
GDC-UK-90x50	50x55x15x3	50x60x10	50x65.5x6.3	50x60x5/7	82x4	100	85	51	90	15	12	68	10	3,170 kg
GDC-UK-90x55	55x60x15x3	55x65x10	55x70.5x6.3	55x65x5/7	82x4	100	85	56	90	15	12	68	10	2,800 kg
GDC-UK-90x60	60x65x15x3	60x70x10	60x75.5x6.3	60x70x5/7	82x4	100	85	61	90	15	12	68	10	2,400 kg
GDC-UK-90x65	65x70x15x3	65x75x10	65x80.5x6.3	65x75x5/7	82x4	100	85	66	90	15	12	68	10	1,960 kg
GDC-UK-90x70	70x75x15x3	70x80x12	-	70x80x5/7	82x4	100	85	71	90	15	12	68	10	1,580 kg
GDC-UK-100x50	50x55x15x3	50x60x10	50x65.5x6.3	50x60x5/7	92x4	110	95	51	100	15	12	68	10	4,340 kg
GDC-UK-100x55	55x60x15x3	55x65x10	55x70.5x6.3	55x65x5/7	92x4	110	95	56	100	15	12	68	10	4,020 kg
GDC-UK-100x60	60x65x15x3	60x70x10	60x75.5x6.3	60x70x5/7	92x4	110	95	61	100	15	12	68	10	3,560 kg
GDC-UK-100x65	65x70x15x3	65x75x10	65x80.5x6.3	65x75x5/7	92x4	110	95	66	100	15	12	68	10	3,170 kg
GDC-UK-100x70	70x75x15x3	70x80x12	70x85.5x6.3	70x80x5/7	92x4	110	95	71	100	15	12	68	10	2,690 kg
GDC-UK-100x75	75x80x15-3	75x85x12	75x90.5x6.3	75x87x7/12	92x4	110	95	76	100	15	12	68	10	2,120 kg
GDC-UK-110x50	50x55x15x3	50x60x10	50x65.5x6.3	50x60x5/7	102x4	125	105	51	110	15	12	68	10	5,820 kg
GDC-UK-110x55	55x60x15x3	55x65x10	55x70.5x6.3	55x65x5/7	102x4	125	105	56	110	15	12	68	10	5,440 kg
GDC-UK-110x60	60x65x15x3	60x70x10	60x75.5x6.3	60x70x5/7	102x4	125	105	61	110	15	12	68	10	5,050 kg
GDC-UK-110x65	65x70x15x3	65x75x10	65x80.5x6.3	65x75x5/7	102x4	125	105	66	110	15	12	68	10	4,600 kg
GDC-UK-110x70	70x75x15x3	70x80x12	70x85.5x6.3	70x80x5/7	102x4	125	105	71	110	15	12	68	10	4,130 kg
GDC-UK-110x75	75x80x15-3	75x85x12	75x90.5x6.3	75x87x7/12	102x4	125	105	76	110	15	12	68	10	3,570 kg
GDC-UK-110x80	80x85x15x3	80x90x12	80x95.5x6.3	80x92x7/12	102x4	125	105	81	110	15	12	68	10	2,970 kg

MOBILE CRANE ROD GLAND



Mobile Crane Rod Gland

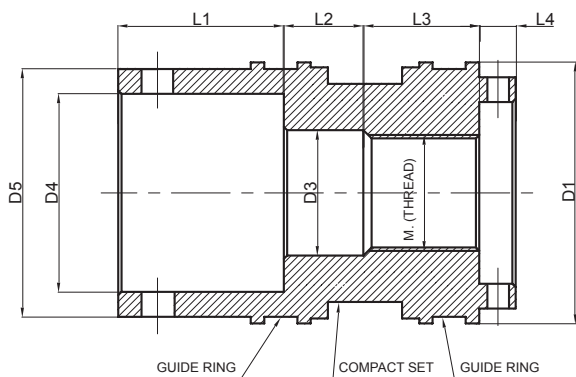
CODE	GUIDE RING	URING	BUFFER RING	WIPER	ORING	D	D1	D2	D3	L1	L2	L3	L4	kg
GDC-UK-110x85	85x90x15-3	85x95x12	85x100.5x6.3	85x97x7/12	102x4	125	105	86	110	15	12	68	10	2,410 kg
GDC-UK-115x60	60x65x15x3	60x70x10	60x75.5x6.3	60x70x5/7	108x4	125	105	61	115	15	12	68	10	5,570 kg
GDC-UK-115x65	65x70x15x3	65x75x10	65x80.5x6.3	65x75x5/7	108x4	125	105	66	115	15	12	68	10	5,120 kg
GDC-UK-115x70	70x75x15x3	70x80x12	70x85.5x6.3	70x80x5/7	108x4	125	105	71	115	15	12	68	10	4,650 kg
GDC-UK-115x80	80x85x15x3	80x90x12	80x95.5x6.3	80x92x7/12	108x4	125	105	81	115	15	12	68	10	3,560 kg
GDC-UK-120x60	60x65x15x3	60x70x10	60x75.5x6.3	60x70x5/7	112x4	135	110	61	120	15	12	68	10	6,400 kg
GDC-UK-120x65	65x70x15x3	65x75x10	65x80.5x6.3	65x75x5/7	112x4	135	110	66	120	15	12	68	10	5,970 kg
GDC-UK-120x70	70x75x15x3	70x80x12	70x85.5x6.3	70x80x5/7	112x4	135	110	71	120	15	12	68	10	5,430 kg
GDC-UK-120x75	75x80x15-3	75x85x12	75x90.5x6.3	75x87x7/12	112x4	135	110	76	120	15	12	68	10	4,950 kg
GDC-UK-120x80	80x85x15x3	80x90x12	80x95.5x6.3	80x92x7/12	112x4	135	110	81	120	15	12	68	10	4,420 kg
GDC-UK-120x85	85x90x15-3	85x95x12	85x100.5x6.3	85x97x7/12	112x4	135	110	86	120	15	12	68	10	3,850 kg
GDC-UK-120x90	90x95x15-3	90x100x12	90x105.5x6.3	90x102x7/12	112x4	135	110	91	120	15	12	68	10	3,250 kg
GDC-UK-125x70	70x75x15x3	70x80x12	70x85.5x6.3	70x80x5/7	118x4	140	115	71	125	15	12	68	10	6,170 kg
GDC-UK-125x80	80x85x15x3	80x90x12	80x95.5x6.3	80x92x7/12	118x4	140	115	81	125	15	12	68	10	5,150 kg
GDC-UK-125x90	90x95x15-3	90x100x12	90x105.5x6.3	90x102x7/12	118x4	140	115	91	125	15	12	68	10	3,920 kg
GDC-UK-125x100	100x105x15-3	100x115x12	100x115.5x6.3	100x112x7/12	118x4	140	115	101	125	15	12	68	10	2,580 kg
GDC-UK-130x70	70x75x15x3	70x80x12	70x85.5x6.3	70x80x5/7	123x4	145	125	71	130	15	12	68	10	7,230 kg
GDC-UK-130x80	80x85x15x3	80x90x12	80x95.5x6.3	80x92x7/12	123x4	145	125	81	130	15	12	68	10	6,130 kg
GDC-UK-130x85	85x90x15-3	85x95x12	85x100.5x6.3	85x97x7/12	123x4	145	125	86	130	15	12	68	10	5,470 kg
GDC-UK-130x90	90x95x15-3	90x100x12	90x105.5x6.3	90x102x7/12	123x4	145	125	91	130	15	12	68	10	4,950 kg
GDC-UK-130x95	95x100x15-3	95x105x12	95x110.5x6.3	95x107x7/12	123x4	145	125	96	130	15	12	68	10	4,320 kg
GDC-UK-130x100	100x105x15-3	100x115x12	100x115.5x6.3	100x112x7/12	123x4	145	125	101	130	15	12	68	10	3,460 kg
GDC-UK-140x60	60x65x15-3	60x70x10	60x75.5x6.3	60x70x5/7	132x4	155	130	61	140	15	12	68	10	9,760 kg
GDC-UK-140x70	70x75x15-3	70x80x12	70x85.5x6.3	70x80x5/7	132x4	155	130	71	140	15	12	68	10	8,730 kg
GDC-UK-140x80	80x85x15-3	80x90x12	80x95.5x6.3	80x92x7/12	132x4	155	130	81	140	15	12	68	10	7,750 kg
GDC-UK-140x85	85x90x15-3	85x95x12	85x100.5x6.3	85x97x7/12	132x4	155	130	86	140	15	12	68	10	7,090 kg
GDC-UK-140x90	90x95x15-3	90x100x12	90x105.5x6.3	90x102x7/12	132x4	155	130	91	140	15	12	68	10	6,580 kg
GDC-UK-140x95	95x100x15-3	95x105x12	95x110.5x6.3	95x107x7/12	132x4	155	130	96	140	15	12	68	10	5,920 kg
GDC-UK-140x100	100x105x15	100x115x12	100x115.5x6.3	100x112x7/12	132x4	155	130	101	140	15	12	68	10	5,170 kg
GDC-UK-140x110	110x115x15-3	110x125x12	110x125.5x6.3	110x122x7/12	132x4	155	130	111	140	15	12	68	10	3,720 kg
GDC-UK-150x100	100x105x15	100x115x12	100x115.5x6.3	100x112x7/12	142x4	165	130	101	150	15	12	68	10	6,800 kg
GDC-UK-150x110	110x115x15-3	110x125x12	110x125.5x6.3	110x122x7/12	142x4	165	130	111	150	15	12	68	10	5,330 kg



Mobile Crane Rod Gland

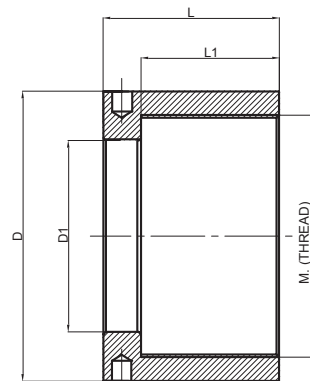
CODE	GUIDE RING	URING	BUFFER RING	WIPER	ORING	D	D1	D2	L	L1	kg
GDC-MB-160x90	90x95x15-3	90x100x12	90x105.5x6.3	90x102x7/12	152x4	130	160	90	105	55	7,480 kg
GDC-MB-160x100	100x105x15-3	100x115x12	100x115.5x6.3	100x112x7/12	152x4	130	160	100	105	55	6,060 kg
GDC-MB-160x110	110x115x15-3	110x125x12	110x125.5x6.3	110x122x7/12	152x4	130	160	110	105	55	4,640 kg
GDC-MB-180x90	90x95x15-3	90x100x12	90x105.5x6.3	90x102x7/12	172x4	150	180	90	105	55	11,460 kg
GDC-MB-180x95	95x100x15-3	95x105x12	95x110.5x6.3	95x107x7/12	172x4	150	180	95	105	55	10,780 kg
GDC-MB-180x100	100x105x15	100x115x12	100x115.5x6.3	100x112x7/12	172x4	150	180	100	105	55	10,040 kg
GDC-MB-180x110	110x115x15-3	110x125x12	110x125.5x6.3	110x122x7/12	172x4	150	180	110	105	55	8,610 kg
GDC-MB-180x120	120x125x15-3	120x135x15	120x135.5x6.3	120x132x7/12	172x4	150	180	120	105	55	6,960 kg
GDC-MB-200x90	90x95x15-3	90x100x12	90x105.5x6.3	90x102x7/12	192x4	160	200	90	105	55	15,130 kg
GDC-MB-200x100	100x105x15	100x115x12	100x115.5x6.3	100x112x7/12	192x4	160	200	100	105	55	13,510 kg
GDC-MB-200x110	110x115x15-3	110x125x12	110x125.5x6.3	110x122x7/12	192x4	160	200	110	105	55	12,230 kg
GDC-MB-200x120	120x125x15-3	120x135x15	120x135.5x6.3	120x132x7/12	192x4	160	200	120	105	55	10,440 kg
GDC-MB-220x100	100x105x15	100x115x12	100x115.5x6.3	100x112x7/12	212x4	180	220	100	105	55	13,790 kg
GDC-MB-220x110	110x115x15-3	110x125x12	110x125.5x6.3	110x122x7/12	212x4	180	220	110	105	55	16,940 kg
GDC-MB-220x120	120x125x15-3	120x135x15	120x135.5x6.3	120x132x7/12	212x4	180	220	120	105	55	15,300 kg
GDC-MB-230x110	110x115x15-3	110x125x12	110x125.5x6.3	110x122x7/12	222x4	190	230	110	105	55	19,400 kg
GDC-MB-230x120	120x125x15-3	120x135x15	120x135.5x6.3	120x132x7/12	222x4	190	230	120	105	55	17,950 kg
GDC-MB-250x110	110x115x15-3	110x125x12	110x125.5x6.3	110x122x7/12	242x4	200	250	110	105	55	26,100 kg
GDC-MB-250x120	120x125x15-3	120x135x15	120x135.5x6.3	120x132x7/12	242x4	200	250	120	105	55	23,580 kg
GDC-MB-250x130	130x135x15-3	130x150x15	130x145.5x6.3	130x142x7/12	242x4	200	250	130	105	55	21,900 kg
GDC-MB-250x140	140x145x15-3	140x160x15	140x155.5x6.3	140x152x7/12	242x4	200	250	140	105	55	19,870 kg

MOBILE CRANE PISTON



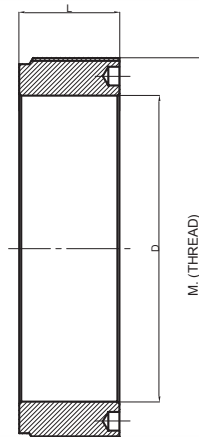
Mobile Crane Piston

CODE	GUIDE RING	COMPACT SET	ORING	THREAD (D2)	D1	D3	D4	D5	L1	L2	L3	L4	kg
GDC-UP-63	58x63x9,5x2	63x51x20,5x4.20	27x4	32x2	63	35	48	58	50	24	35	11	1,170 kg
GDC-UP-70	65x70x9,5x2	70x58x20,5x4.20	30x4	35x2	70	38	50	65	50	24	35	11	1,500 kg
GDC-UP-80	75x80x9,5x2	80x66x22,4x5.20	30x4	35x2	80	38	60	75	50	24	35	11	2,190 kg
GDC-UP-90	85x90x9,5x2	90x76x22,4x5.20	35x4	40x2	90	43	70	85	50	24	35	11	2,740 kg
GDC-UP-100	95x100x9,5x2	100x86x22,4x5.20	40x4	45x2	100	48	75	95	50	24	35	11	3,540 kg
GDC-UP-110	105x110x9,5x2	110x96x22,4x5.20	45x4	50x2	110	53	80	105	50	24	35	11	4,470 kg
GDC-UP-115	110x115x9,5x2	115x101x22,4x5.20	45x4	50x2	115	53	85	110	50	24	35	11	4,670 kg
GDC-UP-120	115x120x9,5x2	120x106x22,4x5.20	55x4	60x2	120	63	95	115	50	24	35	11	4,740 kg
GDC-UP-125	120x125x9.5-2	125x103x25.4x5.10	55x4	60x2	125	63	100	120	50	24	35	11	4,960 kg
GDC-UP-130	125x130x9.5-2	130x105x25.4x6.35	55x4	60x2	130	63	100	125	50	24	35	11	5,590 kg
GDC-UP-140	135x140x9.5-2	140x123x26.5x7.20	55x4	60x2	140	63	110	135	50	24	35	11	7,060 kg
GDC-UP-150	145x150x9.5-2	150x125x25.4x6.35/1	55x4	60x2	150	63	120	145	50	24	35	11	7,620 kg



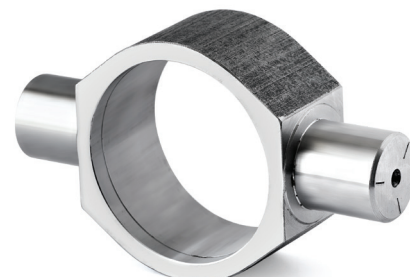
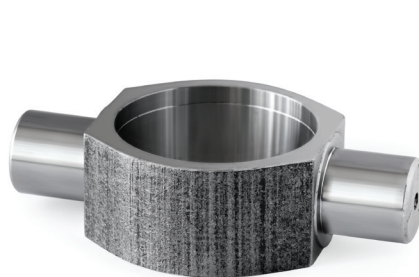
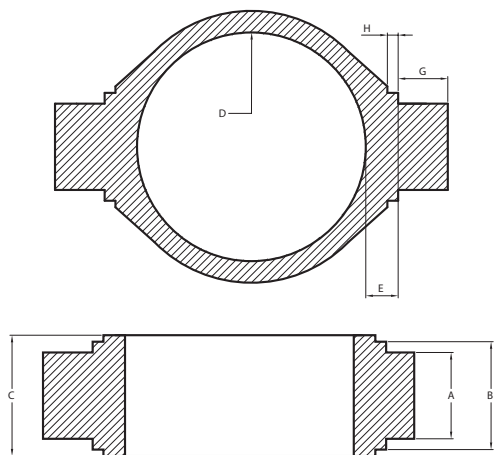
Mobile Crane Rod Nut

CODE	M	L	L1	D	D1	kg
GDC-S-50x65 NUT	M.64x2	50mm	38	85	46	0,800 kg
GDC-S-63x75 NUT	M.74x2	60mm	45	95	60,5	1,000 kg
GDC-S-70x85 NUT	M.84x2	60mm	45	105	70,5	1,760 kg
GDC-S-80x95 NUT	M.94x2	60mm	45	115	75,5	1,790 kg
GDC-S-90x105 NUT	M.104x2	70mm	55	125	85,5	2,400 kg
GDC-S-90x110 NUT	M.109x2	70mm	55	130	85,5	2,580 kg
GDC-S-100x115 NUT	M.114x2	70mm	55	135	95,5	2,350 kg
GDC-S-100x120 NUT	M.119x2	70mm	55	140	95,5	2,530 kg
GDC-S-110x130 NUT	M.129x2	70mm	55	150	100,5	3,040 kg
GDC-S-115x130 NUT	M.129x2	70mm	55	150	100,5	3,040 kg
GDC-S-120x140 NUT	M.139x2	70mm	55	160	110,5	2,960 kg
GDC-S-125x145 NUT	M.144x2	70mm	55	165	115,5	3,500 kg
GDC-S-130x150 NUT	M149x2	70mm	55	170	125,5	3,020 kg
GDC-S-140x160 NUT	M.159x2	70mm	55	180	130,5	3,540 kg



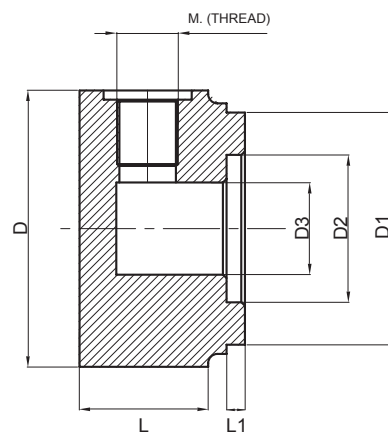
Mobile Crane Nut

CODE	M	L	D	kg
GDC-S140 INTERNAL NUT	M148x2.5	50mm	125	2,770 kg
GDC-S160 INTERNAL NUT	M.168x3	50mm	130	3,160 kg
GDC-S180 INTERNAL NUT	M188x3	50mm	150	3,580 kg
GDC-S200 INTERNAL NUT	M.208x3	50mm	160	4,910 kg
GDC-S220 INTERNAL NUT	M.228x3	50mm	180	5,580 kg
GDC-S230 INTERNAL NUT	M.238x3	50mm	190	6,705 kg
GDC-S250 INTERNAL NUT	M258x3	50mm	200	7,640 kg



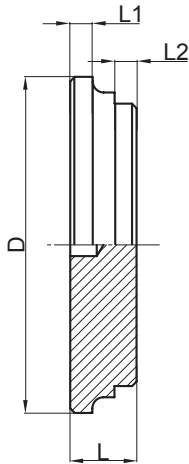
Trunnion

CODE	A	B	C	D	E	H	G	kg
GDC-H 63x75	42	57	70	76	12.5	2.5	25	3,300 kg
GDC-H 70x85	42	57	70	86	12.5	2.5	25	3,900 kg
GDC-H 80x95	42	57	70	96	12.5	2.5	25	4,350 kg
GDC-H 80x100	42	57	70	101	12.5	2.5	25	4,350 kg
GDC-H 90x105	42	57	70	106	12.5	2.5	25	3,850 kg
GDC-H 90x110	42	57	70	111	12.5	2.5	25	3,500 kg
GDC-H 100x115	42	57	70	116	12.5	2.5	25	4,900 kg
GDC-H 100x120	42	57	70	121	12.5	2.5	25	4,900 kg
GDC-H 110x130	42	57	70	131	12.5	2.5	25	4,800 kg
GDC-H 115x130	42	57	70	131	12.5	2.5	25	4,800 kg
GDC-H 120x140	42	57	70	141	16.5	2.5	25	5,000 kg
GDC-H 125x145	42	57	70	146	16.5	2.5	25	7,850 kg
GDC-H 130x150	42	57	70	151	16.5	2.5	25	7,850 kg



End Plug With Oil Hole

CODE	D	D1	D2	L	L1	M	kg
GDC-AKR-40x50	50	40	14	40	5	1/4"	0,510 kg
GDC-AKR-50x60	60	50	18	40	5	3/8"	0,770 kg
GDC-AKR-60x70	70	60	18	40	5	3/8"	1,050 kg
GDC-AKR-63x75	75	63	18	40	5	3/8"	1,240 kg
GDC-AKR-70x85	85	70	18	40	5	3/8"	1,620 kg
GDC-AKR-80x95	95	80	18	40	5	3/8"	2,030 kg
GDC-AKR-90x105	105	90	24	40	5	3/8"	2,560 kg
GDC-AKR-100x115	115	100	30	40	5	1/2"	3,040 kg
GDC-AKR-110x130	130	110	30	40	5	1/2"	3,770 kg
GDC-AKR-120x140	140	120	30	40	5	1/2"	4,450 kg
GDC-AKR-125x145	145	125	40	40	5	1/2"	4,800 kg
GDC-AKR-130x150	150	130	40	40	5	1/2"	5,150 kg
GDC-AKR-140x160	160	140	40	40	5	1/2"	5,550 kg
GDC-AKR-160x180	180	160	40	40	5	1/2"	5,900 kg
GDC-AKR-180x200	200	180	50	40	5	1/2"	6,320 kg
GDC-AKR-200x220	220	200	50	40	5	1/2"	6,900 kg



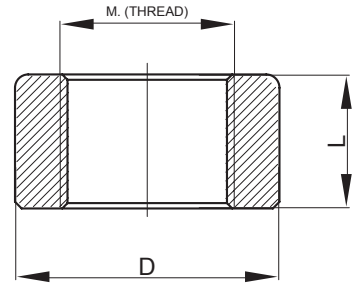
End Plug

CODE	L	L1	L2	D	D1	kg
GDC-AK-32x40	15	5	5	40	32	0,110 kg
GDC-AK-35x45	15	5	5	45	35	0,140 kg
GDC-AK-40x50	15	5	5	50	40	0,180 kg
GDC-AK-45x55	15	5	5	55	45	0,230 kg
GDC-AK-50x60	15	5	5	60	50	0,270 kg
GDC-AK-55x65	15	5	5	65	55	0,320 kg
GDC-AK-60x70	15	5	5	70	60	0,380 kg
GDC-AK-60x80	15	5	5	80	60	0,450 kg
GDC-AK-63x75	15	5	5	75	63	0,430 kg
GDC-AK-65x80	15	5	5	80	65	0,470 kg
GDC-AK-70x85	15	5	5	85	70	0,550 kg
GDC-AK-75x90	15	5	5	90	75	0,620 kg
GDC-AK-80x95	15	5	5	95	80	0,690 kg
GDC-AK-80x100	15	5	5	100	80	0,750 kg
GDC-AK-85x100	20	9	5	100	85	1,050 kg
GDC-AK-90x105	20	9	5	105	90	1,170 kg
GDC-AK-90x110	20	9	5	110	90	1,240 kg
GDC-AK-100x115	20	9	5	115	100	1,400 kg
GDC-AK-100x120	20	9	5	120	100	1,480 kg
GDC-AK-110x130	20	9	5	130	110	1,780 kg
GDC-AK-115x130	20	9	5	130	115	1,860 kg
GDC-AK-120x140	20	9	5	140	120	2,100 kg
GDC-AK-125x145	20	9	5	145	125	2,240 kg
GDC-AK-130x150	20	9	5	150	130	2,430 kg
GDC-AK-140x160	20	9	5	160	140	2,750 kg
GDC-AK-150x170	20	9	5	170	150	3,250 kg
GDC-AK-160x190	25	9	5	190	160	4,870 kg
GDC-AK-180x210	25	9	5	210	180	5,920 kg
GDC-AK-200x245	30	9	5	245	200	9,940 kg
GDC-AK-220x270	30	9	8	270	220	11,260 kg
GDC-AK-230x280	30	9	8	280	230	12,200 kg
GDC-AK-250x300	30	9	8	300	250	14,150 kg

CHEMICAL PROPERTIES	MATERIAL	W.No	C %	Mn %	Si %
	SAE 1040	1.1186	0.37-0.44	0.50-0.80	0.40
	SAE 1050	1.1206	0.47-0.55	0.60-0.90	0.40

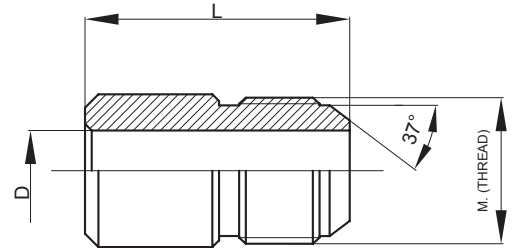
PRODUCT TYPE	WORKING PRESSURE	TEST PRESSURE	OPERATING TEMPERATURE
SAE 1040 / 1050 Gland	400 BAR	600 BAR	-30° C +105° C

BSP WELDABLE PORT



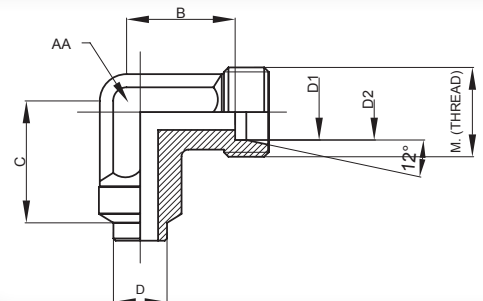
BSP Weldable Port

CODE	THREAD	L	ØD	kg
GDC-KM	R1/4-19	14	22	0,018 kg
GDC-KM	R3/8-19	14	26	0,034 kg
GDC-KM	R1/2-14	17	32	0,055 kg
GDC-KM	R3/4-14	20	40	0,113 kg
GDC-KM	R1"-11	23	45	0,185 kg



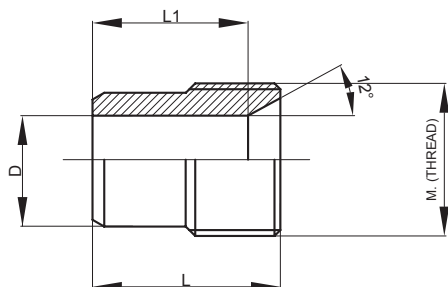
UNF Weldable Nipple

CODE	THREAD	L	ØD	kg
GDC-KN	1/2-20	28.5	5.5	0,015 kg
GDC-KN	9/16-18	33	6.5	0,026 kg
GDC-KN	5/8-18	35	7.5	0,037 kg
GDC-KN	3/4-16	40	9	0,046 kg
GDC-KN	7/8-14	40	11	0,070 kg
GDC-KN	1"1/16-12	50	15	0,132 kg
GDC-KN	1"5/16-12	55	20	0,195 kg



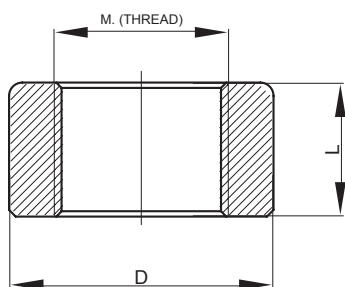
Weldable Metric Elbow

CODE	M	B	C	ØD	ØD1	ØD2	AA	kg
GDC-MKD-L	M18x1,5	17	25.5	12	10	12	17	0,055 kg
GDC-MKD-S	M20x1,5	21.5	27	12	8	12	17	0,081 kg
GDC-MKD-S	M24x1,5	24.5	31	16	12	16	24	0,131 kg
GDC-MKD-S	M30x2	26.5	38	20	16	20	27	0,293 kg



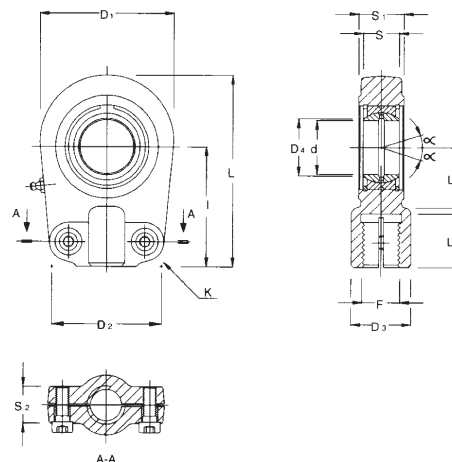
Weldable Metric Nipple

CODE	THREAD	L	ØD	ØD1	kg
GDC-KN-Metric	M12x1,5	10	6	4	0,009 kg
GDC-KN-Metric	M14x1,5	11,5	8	6	0,011 kg
GDC-KN-Metric	M16x1,5	12,5	10	8	0,014 kg
GDC-KN-Metric	M18x1,5	18	12	10	0,023 kg
GDC-KN-Metric	M22x1,5	20,5	15	12	0,035 kg
GDC-KN-Metric	M26x1,5	20,5	18	15	0,064 kg
GDC-KN-Metric	M30x2	21,5	22	19	0,085 kg
GDC-KN-Metric	M36x2	25	28	24	0,142 kg
GDC-KN-Metric	M45x2	29,5	35	30	0,205 kg
GDC-KN-Metric	M52x2	28	42	36	0,285 kg
GDC-KN-Metric	M20x1,5	18,5	12	8	0,355 kg
GDC-KN-Metric	M24x1,5	19,5	16	12	0,495 kg
GDC-KN-Metric	M30x2	21,5	20	16	0,850 kg
GDC-KN-Metric	M36x2	24,5	25	20	0,142 kg
GDC-KN-Metric	M42x2	26,5	30	25	0,297 kg
GDC-KN-Metric	M52x2	29	38	32	0,350 kg



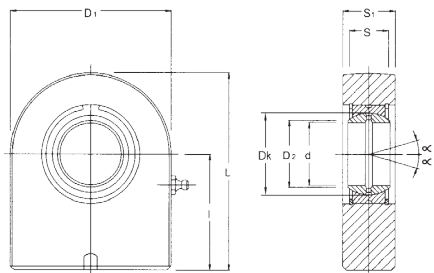
Metric Weldable Port

CODE	THREAD	L	ØD	kg
GDC-KMM	M12x1,5	16	22	0,019 kg
GDC-KMM	M14x1,5	16	22	0,038 kg
GDC-KMM	M16x1,5	17	26	0,045 kg
GDC-KMM	M18x1,5	18	28	0,062 kg
GDC-KMM	M20x1,5	18	30	0,066 kg
GDC-KMM	M22x1,5	18	30	0,070 kg



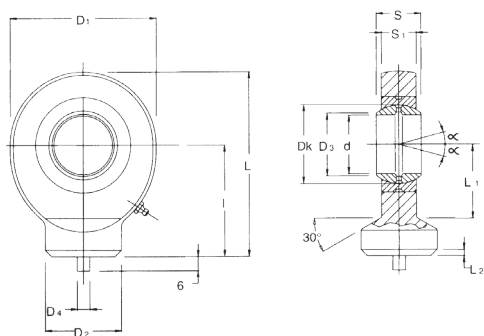
Rod End

CODE	D	I	S	LF	D1	D2	D3	D4	S1	S2	L	L1	F	a	THREAD	kg
PR 20 U	20	50	16	17	56	46	25	24.1	19	21	80	25	M16x1,5	9	M8x20	0,450 kg
PR 25 U	25	50	20	17	56	46	25	29.3	23	21	80	28	M16x1,5	7	M8x20	0,490 kg
PR 30 U	30	60	22	23	64	50	32	34.2	28	26	94	30	M22x1,5	6	M8x25	0,760 kg
PR 35 U	35	70	25	29	78	66	40	39.7	30	28	112	38	M28x1,5	6	M10x30	1,260 kg
PR 40 U	40	85	28	36	94	76	49	45	35	33	135	45	M35x1,5	7	M10x35	2,150 kg
PR 50 U	50	105	35	46	116	90	61	56	40	37	168	55	M45x1,5	6	M12x40	3,800 kg
PR 60 U	60	130	44	59	130	120	75	66.8	50	46	200	65	M58x1,5	6	M16x45	6,200 kg
PR 70 U	70	150	49	66	157	130	86	77.8	55	51	232	75	M65x1,5	6	M16x50	9,830 kg
PR 80 U	80	170	55	81	178	160	105	89.4	60	55	265	80	M80x2	6	M20x55	13,970 kg
PR 90 U	90	210	60	101	210	180	124	98.1	65	63	323	90	M100x2	5	M20x60	23,500 kg
PR 100 U	100	235	70	111	234	200	138	109.5	70	65	360.7	105	M110x2	7	M24x65	32,000 kg



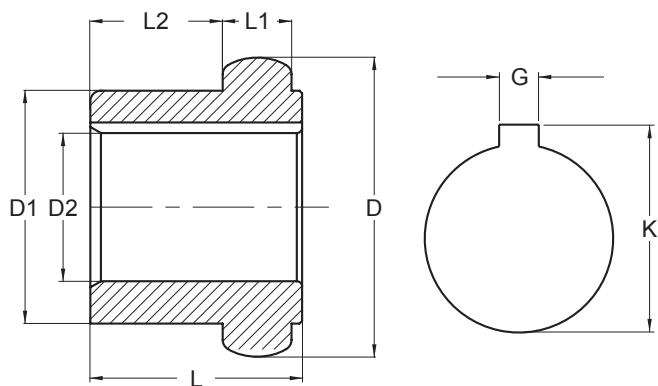
Weldable Rod End

CODE	d	s	l	D1	D2	S1	L	a	kg
S 20 N	20	16	38	50	24.1	19	63	9	0,360 kg
S 25 N	25	20	45	55	29.3	23	72.5	7	0,530 kg
S 30 N	30	22	51	65	34.2	28	83.5	6	0,850 kg
S 35 N	35	25	61	83	39.7	30	102.5	6	1,500 kg
S 40 N	40	28	69	101	45	35	119	7	2,420 kg
S 45 N	45	32	77	111	50.7	60	132	7	3,390 kg
S 50 N	50	35	88	123	56	40	149.5	6	4,240 kg
S 60 N	60	44	100	140	66.8	50	170	6	7,100 kg
S 70 N	70	49	115	164	77.8	55	197	6	10,700 kg
S 80 N	80	55	141	180	89.4	60	231	6	15,100 kg
S 90 N	90	60	150	226	98.1	65	263	6	23,400 kg
S 100 N	100	70	170	250	109.5	70	295	6	33,100 kg



Rod End

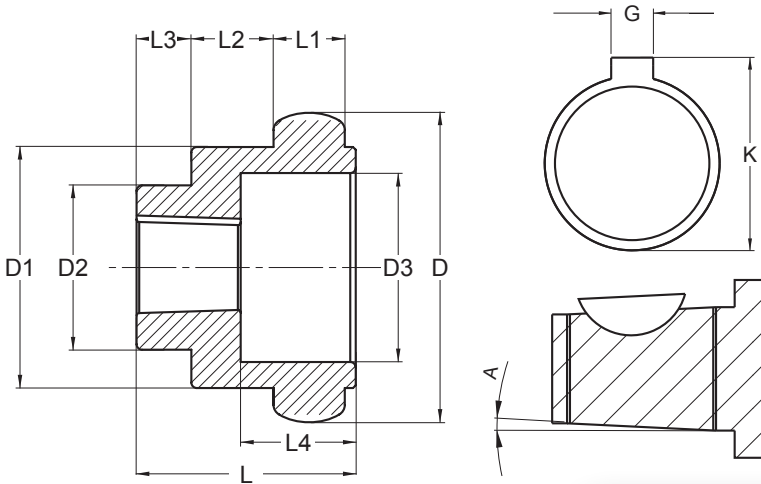
CODE	D	l	S	D1	D2	D3	D4	S1	L	L1	L2	a	kg
S 20 C	20	38	16	53	27.5	24.1	4	13	64.5	27.5	3	9	0,260 kg
S 25 C	25	45	20	64	33.5	29.3	4	17	77	33	4	7	0,450 kg
S 30 C	30	51	22	73	40	34.2	4	19	87.5	37.5	4	6	0,670 kg
S 35 C	35	61	25	82	47	39.7	4	21	102	43	4	6	1,020 kg
S 40 C	40	69	28	92	52	45	4	23	115	48	5	7	1,400 kg
S 45 C	45	77	32	102	58	50.7	6	27	123	52	5	7	1,930 kg
S 50 C	50	88	35	112	62	56	6	30	144	59	6	6	2,690 kg
S 60 C	60	100	44	137	70	66.8	6	38	167.5	72.5	8	6	4,600 kg
S 70 C	70	115	49	161	80	77.8	6	42	195	86	10	6	7,000 kg
S 80 C	80	141	55	180	95	89.4	6	47	231	98	10	6	11,000 kg



Machined Coupling Acc to Motor Mil

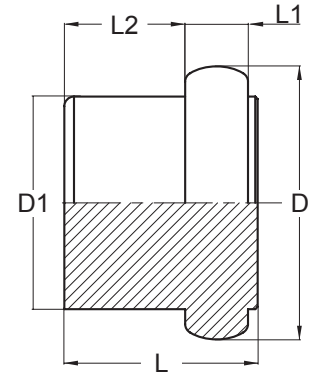
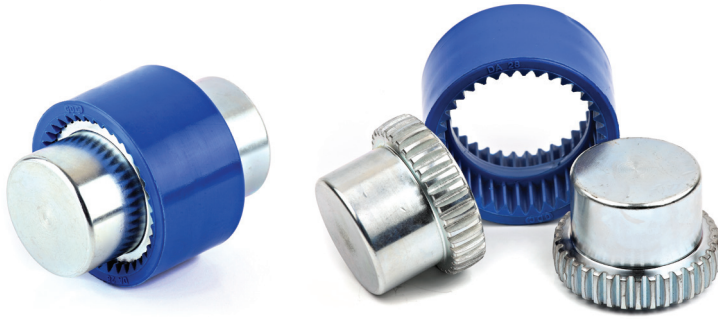
CODE	D	D1	D2	L	L1	L2	G	K	kg
GDC-DA-14-11	32,60	24	11	25	7,5	16	4	12,8	0,150 kg
GDC-DA-14-14	32,60	24	14	25	7,5	16	5	16,3	0,120 kg
GDC-DA-24-11	43,60	36	11	28	10	16	4	12,8	0,280 kg
GDC-DA-24-14	43,60	36	14	28	10	16	5	16,3	0,200 kg
GDC-DA-24-19	43,60	36	19	28	10	16	6	21,8	0,180 kg
GDC-DA-24-24	43,60	36	24	28	10	16	8	27,3	0,140 kg
GDC-DA-28-11	56,80	44	11	40	12,5	25	4	12,8	0,550 kg
GDC-DA-28-14	56,80	44	14	40	12,5	25	5	16,3	0,490 kg
GDC-DA-28-19	56,80	44	19	40	12,5	25	6	21,8	0,450 kg
GDC-DA-28-24	56,80	44	24	40	12,5	25	8	27,3	0,390 kg
GDC-DA-28-25	56,80	44	25	40	12,5	25	8	28,3	0,400 kg
GDC-DA-28-28	56,80	44	28	40	12,5	25	8	31,3	0,330 kg
GDC-DA-28-2PD	56,80	44	22,2	40	12,5	25	6	25	0,430 kg
GDC-DA-32-19	59,70	50	19	40	12,5	25	6	21,8	0,570 kg
GDC-DA-32-24	59,70	50	24	40	12,5	25	8	27,3	0,520 kg
GDC-DA-32-28	59,70	50	28	40	12,5	25	8	31,3	0,470 kg
GDC-DA-32-32	59,70	50	32	40	12,5	25	8	35,3	0,400 kg
GDC-DA-32-2PD	59,70	50	22,2	40	12,5	25	6	25	0,590 kg
GDC-DA-38-19	68,70	58	19	42	14,5	25	6	21,8	0,840 kg
GDC-DA-38-24	68,70	58	24	42	14,5	25	8	27,3	0,790 kg
GDC-DA-38-28	68,70	58	28	42	14,5	25	8	31,3	0,790 kg
GDC-DA-38-32	68,70	58	32	42	14,5	25	8	35,3	0,600 kg
GDC-DA-38-38	68,70	58	38	42	14,5	25	10	41,3	0,500 kg

CODE	D	D1	D2	L	L1	L2	G	K	kg
GDC-DA-38-2PD	68,70	58	22,2	42	14,5	25	6	25	0,810 kg
GDC-DA-42-19	71,80	60	19	42	14,5	25	6	21,8	0,950 kg
GDC-DA-42-24	71,80	60	24	42	14,5	25	8	27,3	0,860 kg
GDC-DA-42-28	71,80	60	28	42	14,5	25	8	31,3	0,800 kg
GDC-DA-42-38	71,80	60	38	42	14,5	25	10	41,3	0,630 kg
GDC-DA-42-42	71,80	60	42	42	14,5	25	12	45,3	0,550 kg
GDC-DA-42-2PD	71,80	60	22,2	42	14,5	25	6	25	0,890 kg
GDC-DA-48-32	76,90	68	32	47	15	29	8	35,3	1,080 kg
GDC-DA-48-38	76,90	68	38	47	15	29	10	41,3	0,960 kg
GDC-DA-48-42	76,90	68	42	47	15	29	12	45,3	0,860 kg
GDC-DA-48-48	76,90	68	48	47	15	29	14	51,8	0,710 kg
GDC-DA-48-2PD	76,90	68	22,2	47	15	29	6	25	1,240 kg
GDC-DA-55-28	98,80	85	28	55	17,5	32,5	8	31,3	2,320 kg
GDC-DA-55-38	98,80	85	38	55	17,5	32,5	10	41,3	2,000 kg
GDC-DA-55-42	98,80	85	42	55	17,5	32,5	12	45,3	1,980 kg
GDC-DA-55-48	98,80	85	48	55	17,5	32,5	14	51,8	1,800 kg
GDC-DA-55-55	98,80	85	55	55	17,5	32,5	16	59,3	1,550 kg
GDC-DA-55-2PD	98,80	85	22,2	55	17,5	32,5	6	25	2,650 kg
GDC-DA-60-42	112,30	90	42	68	18	45	12	45,3	3,020 kg
GDC-DA-60-48	112,30	90	48	68	18	45	14	51,8	2,760 kg
GDC-DA-60-55	112,30	90	55	68	18	45	16	59,3	2,450 kg
GDC-DA-60-60	112,30	90	60	68	18	45	18	64,4	2,230 kg
-									



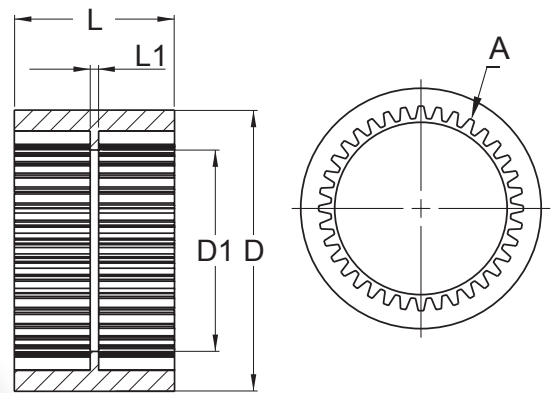
Machined Coupling Acc to Pump Mil

CODE	D	D1	D2	D3	L	L1	L2	L3	L4	G	K	A	kg
DA-24-0-PD	43.6	36	-	-	28	10	16	-	-	-	-	-	0,110 kg
DA-24-0P1	43.6	36	-	28	28	10	16	-	15	2,5	10,75	1/8	0,160 kg
DA-24-1P1	43.6	36	30	28	28	10	16	-	11	4	18,7	1/8	0,160 kg
DA-28-0-PD	56.8	44	30	-	40	12,5	15	-	-	-	-	-	0,440 kg
DA-28-0P1	56.8	44	30	27	40	12,5	15	10	26,5	2,5	10,75	1/8	0,360 kg
DA-28-1P1	56.8	44	30	34,5	40	12,5	15	10	20	4	18,7	1/8	0,300 kg
DA-28-113	56.8	44	30	34,5	40	12,5	15	10	20	3,2	18,7	1/5	0,330 kg
DA-28-117	56.8	44	30	34,5	40	12,5	15	10	20	3,2	16,6	1/8	0,320 kg
DA-28-2P1	56.8	44	30	34,5	40	12,5	15	10	20	4	23,5	1/8	0,290 kg
DA-32-1P1	59.7	50	30	34,5	40	12,5	15	10	20	4	18,7	1/8	0,400 kg
DA-32-2P1	59.7	50	30	34,5	40	12,5	15	10	20	4	23,5	1/8	0,380 kg
DA-32-117	59.7	50	30	34,5	40	12,5	15	10	20	3,2	16,6	1/8	0,400 kg
DA-38-1P1	68.7	58	35	37	42	14,5	15	10	20,5	4	18,7	1/8	0,600 kg
DA-38-2P1	68.7	58	35	37	42	14,5	15	10	20,5	4	23,5	1/8	0,580 kg
DA-38-113	68.7	58	35	37	42	14,5	15	10	20,5	3,2	18,7	1/5	0,600 kg
DA-42-1P1	71.8	58	35	37	42	14,5	15	10	20	4	18,7	1/8	0,650 kg
DA-42-2P1	71.8	58	35	37	42	14,5	15	10	20	4	23,5	1/8	0,630 kg
DA-42-113	71.8	58	35	37	42	14,5	15	10	20	3,2	18,7	1/5	0,680 kg
DA-48-1P1	76.9	68	35	42	47	15	19	10	25	4	18,7	1/8	0,890 kg
DA-48-2P1	76.9	68	35	42	47	15	19	10	25	4	23,5	1/8	0,780 kg
DA-48-113	76.9	68	35	42	47	15	19	10	25	3,2	18,7	1/5	0,880 kg
DA-55-1P1	98.8	85	-	50	55	17,5	32,5	-	32,5	4	18,7	1/8	2,120 kg
DA-55-2P1	98.8	85	-	50	55	17,5	32,5	-	32,5	4	23,5	1/8	2,060 kg
DA-60-1P1	112.3	90	-	55	68	18	45	-	-	4	18,7	1/8	3,550 kg
DA-60-2P1	112.3	90	-	55	68	18	45	-	-	4	23,5	1/8	3,510 kg



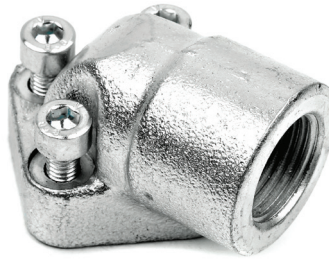
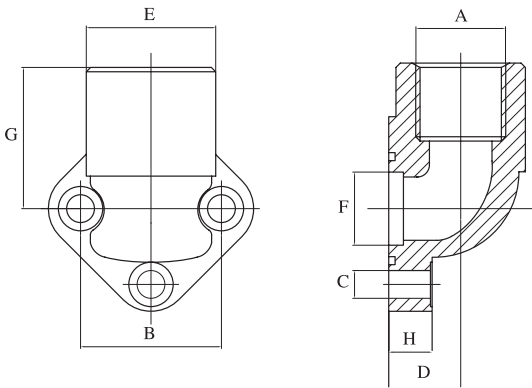
Solid Flexible Gear Coupling

CODE	D	D1	L	L1	L2	kg
GDC-DA-14 PLASTIC	-	-	-	-	16	-
GDC-DA-14 STEEL	32,6	24	25	7,5	16	0,150 kg
GDC-DA-24 STEEL	43,6	36	28	10	16	0,240 kg
GDC-DA-28 STEEL	56,8	44	40	12,5	25	0,550 kg
GDC-DA-32 STEEL	59,7	50	40	12,5	25	0,670 kg
GDC-DA-38 STEEL	68,7	58	42	14,5	25	0,940 kg
GDC-DA-42 STEEL	71,8	60	42	14,5	25	1,020 kg
GDC-DA-48 STEEL	76,9	68	47	15	29	1,400 kg
GDC-DA-55 STEEL	98,8	85	55	17,5	32,5	2,530 kg
GDC-DA-60 STEEL	112,3	90	68	18	45	3,680 kg



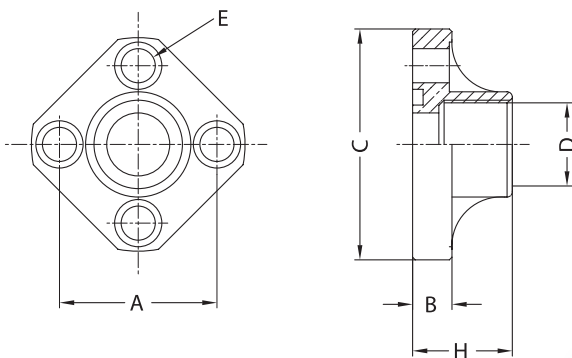
Flexible Coupling

CODE	D	D1	L	L1	A	kg
GDC-DA-14 PLASTIC	40	27,2	29	5	20	0,017 kg
GDC-DA-24 PLASTIC	53	38,6	37	4	27	0,037 kg
GDC-DA-28 PLASTIC	67	51,7	39	6	36	0,054 kg
GDC-DA-32 PLASTIC	75	54,8	43	3	38	0,086 kg
GDC-DA-38 PLASTIC	84	62,6	48	6	37	0,117 kg
GDC-DA-42 PLASTIC	88	65,8	50	8	39	0,134 kg
GDC-DA-48 PLASTIC	99	70,8	46,7	8	42	0,177 kg
GDC-DA-55 PLASTIC	122	90,7	57,3	11,5	48	0,284 kg
GDC-DA-60 PLASTIC	137	105,3	68,3	14,5	55	0,441 kg



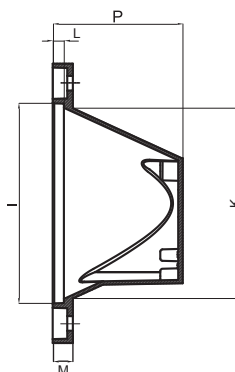
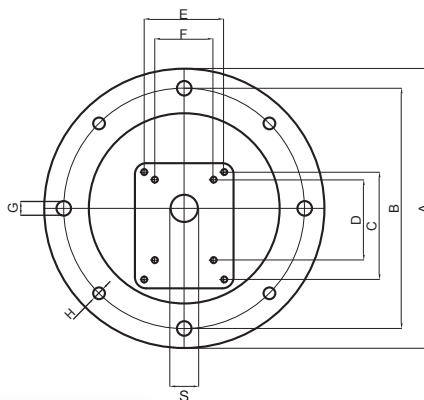
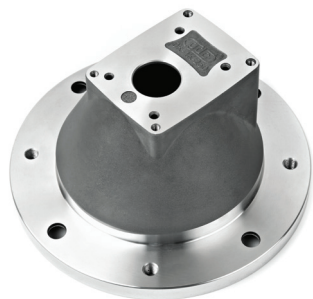
Elbow Pump Adaptor (GGG50)

CODE	A	B	C	D	E	F	G	H	THREAD	ORING	QUALITY	kg
GDC-DPA-101	3/8"	30mm	6.5	19	32	14	33	13	M6x20	16x2	GGG50	0,165 kg
GDC-DPA-102	1/2"	30mm	6.5	19	32	14	33	13	M6x20	16x2	GGG50	0,165 kg
GDC-DPA-103	1/2"	40mm	8.5	25	40	21	40	15	M6x25	25.07x2.62	GGG50	0,350 kg
GDC-DPA-104	3/4"	40mm	8.5	25	40	21	40	15	M8x25	25.07x2.62	GGG50	0,350 kg
GDC-DPA-105	3/4"	48mm	8.5	25	40	21	40	15	M8x30	25.07x2.62	GGG50	0,350 kg
GDC-DPA-106	3/4"	51mm	8.5	25	40	21	40	15	M10x30	25.07x2.62	GGG50	0,350 kg



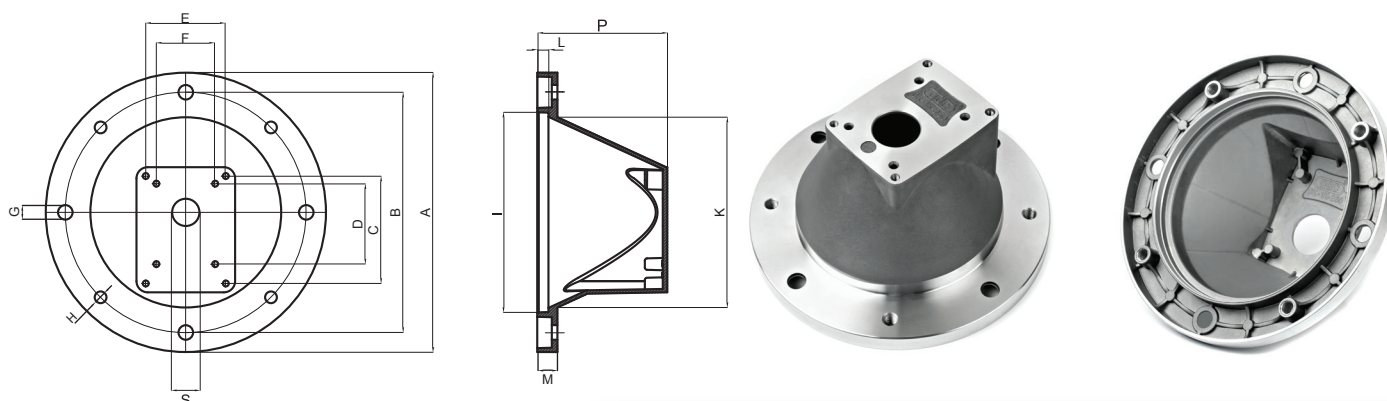
Pump Adaptor

CODE	A	B	C	E	H	D	THREAD	ORING	QUALITY	kg
GDC-DPA-201	30mm	7	41	7	17	3/8"	6x16	16.6x2.40	SAE 1040	0,090 kg
GDC-DPA-202	35mm	8	45	7	20	3/8"	6x16	17.86x2.62	SAE 1040	0,120 kg
GDC-DPA-203	40mm	8	52	8,5	16	1/2"	8x16	24x2	SAE 1040	0,120 kg
GDC-DPA-204	48mm	10	65	10,5	23	3/4"	10x25	29x4	SAE 1040	0,300 kg
GDC-DPA-205	51mm	10	72	10,5	23	3/4"	10x25	29x4	SAE 1040	0,350 kg
GDC-DPA-206	56mm	-	-	-	-	-	-	-	-	-



Bell Housing

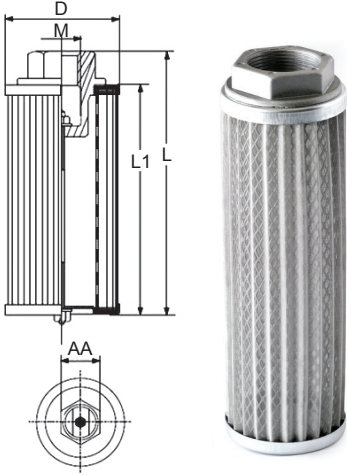
DIAMETER	DESCRIPTION	A	B	C	D	E	F	I	K	L	M	P	H	G	S	kg
OK-140	0,9-0,12-0,18 KW	140	-	72	-	52,5	52,5	-	-	7	-	-	-	-	25,5	0,470 kg
OK-160 P-80mm	0,25-0,37 KW Injection	160	130	72	72	52,5	52,5	110	110	7	10	80	8	9	25,5	0,640 kg
1K-160 P-80mm	0,25-0,37 KW Injection	160	130	96,18	-	71,42	-	110	110	7	10	80	8	9	36,7	0,640 kg
OK-200 P-90mm	0,55-0,75-1-1,1-1,5 KW Injection	200	165	72	72	52,5	52,5	130	135	7	15	90	10	11	25,5	0,570 kg
1K-200 P-90mm	0,55-0,75-1-1,1-1,5 KW Injection	200	165	96,18	-	71,42	-	130	135	7	15	90	10	11	36,7	0,550 kg
OK-200 P-100mm	0,55-0,75-1-1,1-1,5 KW Injection	200	165	72	72	52,5	52,5	130	135	7	15	100	10	11	25,5	0,590 kg
1K-200 P-100mm	0,55-0,75-1-1,1-1,5 KW Injection	200	165	96,18	-	71,42	-	130	135	7	15	100	10	11	36,7	0,570 kg
OK-250 P-115mm	2,2-3-3,7-4 KW Injection	250	215	72	72	52,5	52,5	180	184	7	17	115	12	14	25,5	0,870 kg
1K-250 P-115mm	2,2-3-3,7-4 KW Injection	250	215	96,18	-	71,42	-	180	184	7	17	115	12	14	36,7	0,870 kg
1K-300 p-134mm	5,5-7,5-10 KW Injection	300	265	96,18	-	71,42	-	230	234	7	20	134	12	14	36,7	1,390 kg
2K-300 p-134mm	5,5-7,5-10 KW Injection	300	265	128,02	-	98,56	-	230	234	7	20	134	12	14	50,8	1,410 kg
KV-300 p-134mm	5,5-7,5-10 KW	300	265	-	-	-	-	230	234	7	20	134	12	14	80,5	1,750 kg



Bell Housing

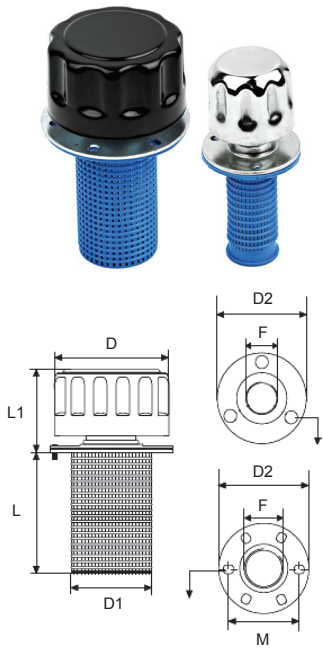
DIAMETER	DESCRIPTION	A	B	C	D	E	F	I	K	L	M	P	H	G	S	kg
KV-300 p-134mm	5,5-7,5-10 KW	300	265	-	-	-	-	230	234	7	20	134	12	14	82,5	1,750 kg
1K-350 P-171mm	11-15-18,5-22 KW Injection	350	300	96,18	-	71,42	-	250	260	7	25	171	16	18	36,7	3,020 kg
2K-350 P-171mm	11-15-18,5-22 KW Injection	350	300	128,02	-	98,56	-	250	260	7	25	171	16	18	50,8	3,080 kg
3K-350 P-171mm	11-15-18,5-22 KW	350	300	153,37	-	105,1	-	250	260	7	25	171	16	18	60,5	3,015 kg
KV-350 P-171mm	11-15-18,5-22 KW Injection	350	300	-	-	-	-	250	260	7	25	171	16	18	80,5	3,080 kg
KV-350 P-171mm	11-15-18,5-22 KW Injection	350	300	-	-	-	-	250	260	7	25	171	16	18	82,5	3,080 kg
KV-350 P-171mm	11-15-18,5-22 KW Injection	350	300	-	-	-	-	250	260	7	25	171	16	18	101,8	3,080 kg
KV-350 P-171mm	11-15-18,5-22 KW Injection	350	300	-	-	-	-	250	260	7	25	171	16	18	80,5	3,080 kg
KV-350 P-171mm	11-15-18,5-22 KW Injection	350	300	-	-	-	-	250	260	7	25	171	16	18	82,5	3,080 kg
KV-350 P-171mm	11-15-18,5-22 KW Injection	350	300	-	-	-	-	250	260	7	25	171	16	18	101,8	3,080 kg
KV-350 P-171mm	11-15-18,5-22 KW Injection	350	300	-	-	-	-	250	260	7	25	171	16	18	127	3,080 kg
KR-350 P-171mm	11-15-18,5-22 KW Injection	350	300	-	-	-	-	250	260	7	25	171	16	18	80/100	3,080 kg

Suction Filter



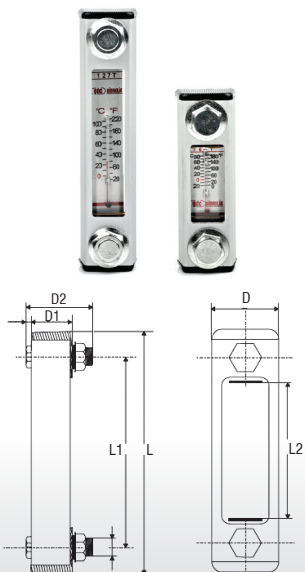
CODE	DESCRIPTION	Lt./Min.	M	L	L1	D	AA	kg
GDC-EMF-401	5 LT. Suction Filter 1/4"-3/8"	15	1"	88	66	59	42	0,160 kg
GDC-EMF-402	15 LT. Suction Filter 1"	25	1"	124	102	59	42	0,190 kg
GDC-EMF-403	25 LT. Suction Filter 1"	45	1"	164	142	59	42	0,260 kg
GDC-EMF-404	45 LT. Suction Filter 1"	65	1 1/2"	134	114	82	62	0,300 kg
GDC-EMF-405	65 LT. Suction Filter 1-1/2"	90	1 1/2"	188	168	82	62	0,350 kg
GDC-EMF-406	90 LT. Suction Filter 1-1/2"	125	1 1/2"	222	202	82	62	0,410 kg
GDC-EMF-407	125 LT. Suction Filter 1-1/2"	150	1 1/2"	215	196	97	62	0,410 kg
GDC-EMF-408	180 LT. Suction Filter 2"	180	1 1/2"	263	242	82	62	0,470 kg
GDC-EMF-409	225 LT. Suction Filter 2"	225	2"	192	167	130	80	0,740 kg
GDC-EMF-410	300 LT. Suction Filter 2"	300	2"	225	202	130	80	0,820 kg
GDC-EMF-411	500 LT. Suction Filter 2"-2-1/2"	500	2 1/2"	282	254	130	86	0,880 kg
GDC-EMF-412	750 LT. Suction Filter 2-1/2"	750	3"	271	253	182	98	1,310 kg
GDC-EMF-413	1400 LT. Suction Filter 3"	1400	3"	523	504	182	98	1,550 kg

Filler Cap



CODE	DESCRIPTION	D	L1	L	D1	D2	F	M	kg
GDC-DK-501	Small - Chrome - Plated	46	53	66	29	52	23	42	0,180 kg
GDC-DK-502	Large	80	59	86	48	86	43	70	0,320 kg
GDC-DK-503	Large Chrome Plated	80	59	86	48	86	43	70	0,320 kg
GDC-DK-504	2" Chrome Plated	109	75	154	77	121	69	110,5	0,750 kg

Level Indicator

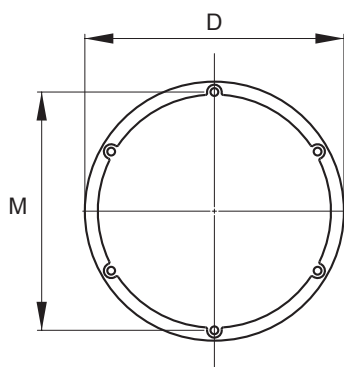


CODE	DESCRIPTION	D	D1	D2	L	L1	L2	kg
GDC-SG-601	76mm With Thermomotor	33	25	45	108	76	36	0,170 kg
GDC-SG-602	127mm With Thermomotor	33	25	45	160	126	87	0,200 kg
GDC-SG-603	254mm With Thermomotor	36	28	43	289	254	213	0,410 kg



Aluminium Tank

CODE	DESCRIPTION
GDC-YT-301	22 LT. 25x30x30
GDC-YT-302	30 LT. 25x30x40
GDC-YT-303	45 LT. 25x40x50
GDC-YT-304	60 LT. 30x40x50
GDC-YT-305	90 LT. 30x50x60
GDC-YT-306	120 LT. 40x50x60



Maintenance Plug

CODE	DESCRIPTION	D	M	kg
GDC-BK-250	250 With Sealing	250	180	1,200 kg
GDC-BK-300	300 With Sealing	300	215	1,800 kg
GDC-BK-350	350 With Sealing	350	250	2,750 kg

Visual Level Indicator (Aluminium)



CODE	DESCRIPTION	kg
GDC-ASG-701	1/4"	0,004 kg
GDC-ASG-702	3/8"	0,007 kg
GDC-ASG-703	1/2"	0,011 kg
GDC-ASG-704	3/4"	0,016 kg
GDC-ASG-705	1"	0,032 kg
GDC-ASG-706	1"1/4	0,042 kg
GDC-ASG-707	1"1/2	0,057 kg

Visual Level Indicator (Polyamide)



CODE	DESCRIPTION	kg
GDC-PSG-801	3/8"	0,004 kg
GDC-PSG-802	1/2"	0,007 kg
GDC-PSG-803	3/4"	0,010 kg
GDC-PSG-804	1"	0,016 kg

Copper Washer



CODE	DESCRIPTION	kg	pcs.
GDC-BP-901	1/8 R"	0,907 kg	1000
GDC-BP-902	1/4 R"	0,957 kg	500
GDC-BP-903	3/8 R"	0,928 kg	500
GDC-BP-904	1/2 R"	0,642 kg	250
GDC-BP-905	3/4 R"	0,976 kg	250
GDC-BP-906	1" R"	0,544 kg	100
GDC-BP-907	1-1/4 R"	0,349 kg	50
GDC-BP-908	1-1/2 R"	0,324 kg	50
GDC-BP-909	2" R"	0,463 kg	50

R" O-Ring Gasket

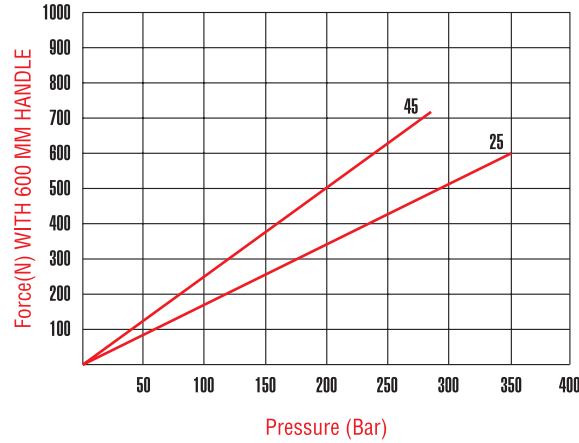
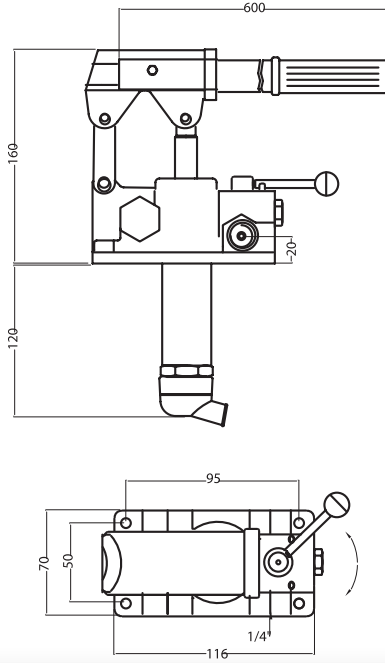


CODE	DESCRIPTION	kg	pcs.
GDC-SP-1001	1/8 R"	0,159 kg	100
GDC-SP-1002	1/4 R"	0,205 kg	100
GDC-SP-1003	3/8 R"	0,296 kg	100
GDC-SP-1004	1/2 R"	0,402 kg	100
GDC-SP-1005	3/4 R"	0,572 kg	100
GDC-SP-1006	1" R"	0,600 kg	100
GDC-SP-1007	1-1/4 R"	1,170 kg	100
GDC-SP-1009	2" R"	0,600 kg	25

Clipped Fork Joint

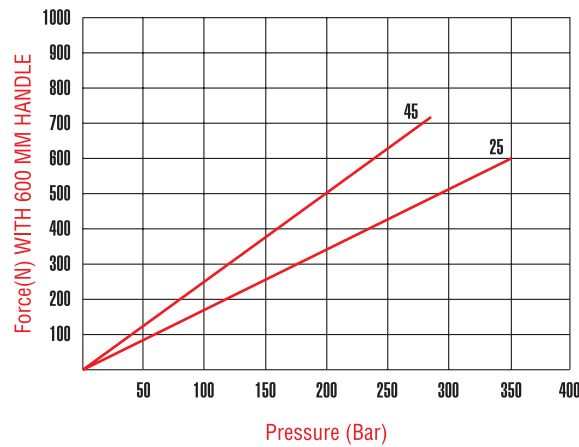
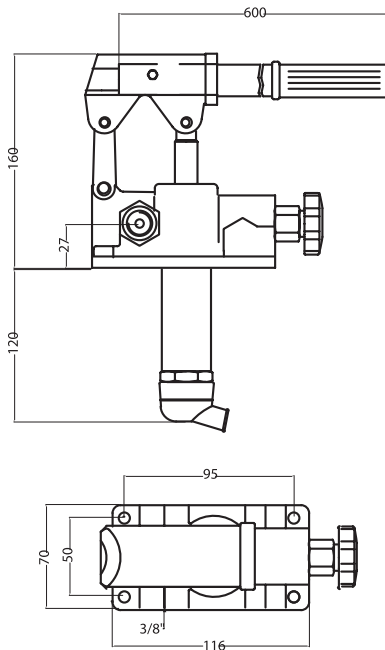


CODE	DESCRIPTION	kg
GDC-KCB-2001	M8X1.25	0,047 kg
GDC-KCB-2002	M10X1.25	0,091 kg
GDC-KCB-2003	M12X1.25	0,146 kg
GDC-KCB-2004	M16X1.5	0,342 kg
GDC-KCB-2005	M20X1.5	0,688 kg
GDC-KCB-2006	M27X2	1,926 kg



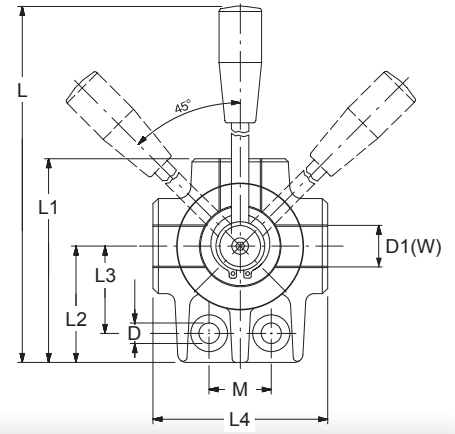
Double Action Manuel Hand Pump

CODE	DESCRIPTION	WORKING PRESSURE	RATED PRESSURE	kg
GDC-EP-3004	25cc Double Action Manuel Hand Pump	25 (cc)	310 (bar)	4,100 kg
GDC-EP-3006	45cc Double Action Manuel Hand Pump	45 (cc)	310 (bar)	4,200 kg



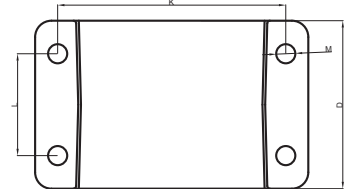
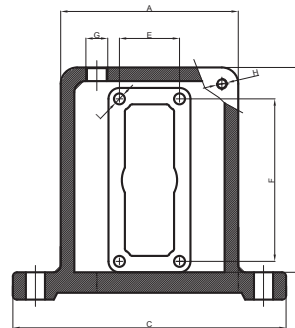
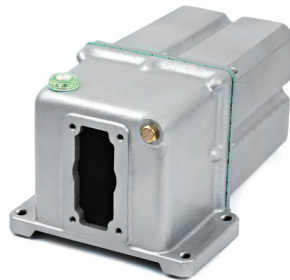
Single Action Manuel Hand Pump

CODE	DESCRIPTION	WORKING VOLUME	RATED PRESSURE	kg
GDC-EP-3001	25cc	25 (cc)	310 (bar)	4,100 kg
GDC-EP-3002	20cc	20 (cc)	310 (bar)	4,200 kg
GDC-EP-3003	25cc	25 (cc)	310 (bar)	4,200 kg
GDC-EP-3005	45cc	45 (cc)	310 (bar)	4,200 kg



3 Way Valve GGG50 Cast Iron

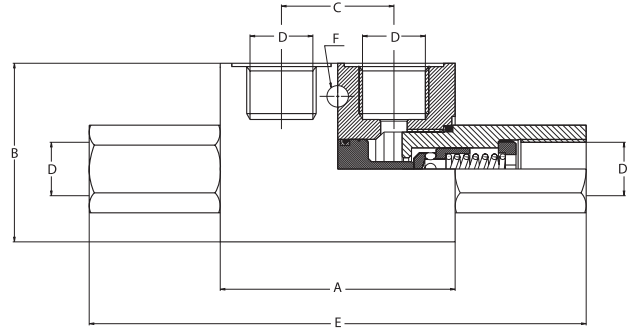
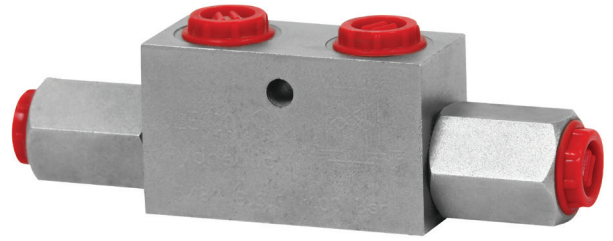
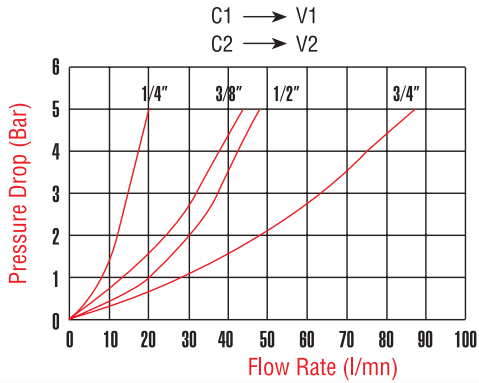
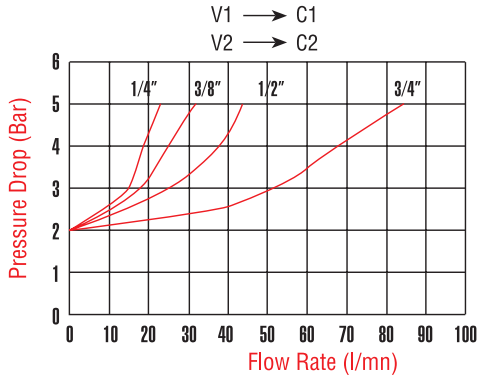
CODE	DESCRIPTION	L	L1	L2	L3	L4	D	D1(W)	M	kg
GDC-UV-5001	3/8 3 Way Valve	150	80	43	32	73	8,5	3/8	24	0,980 kg
GDC-UV-5002	1/2 3 Way Valve	155	95	52	37	85	11	1/2	30	1,440 kg
GDC-UV-5003	3/4 3 Way Valve	175	102	56	41	92	11	3/4	32	1,830 kg
GDC-UV-5004	1" 3 Way Valve	175	102	56	42	92	11	1"	32	1,680 kg



Aluminium Tank

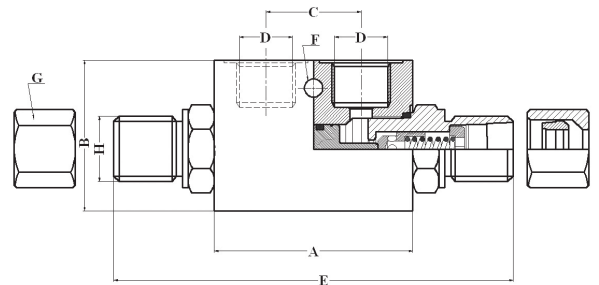
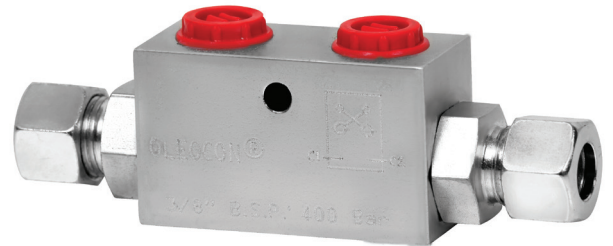
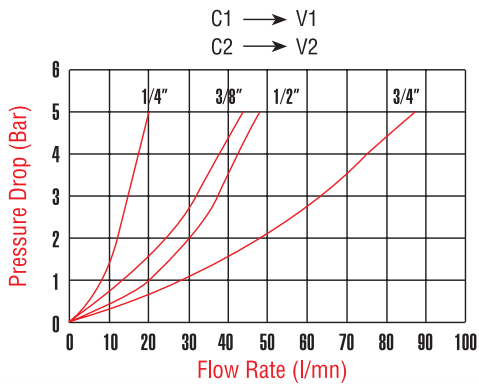
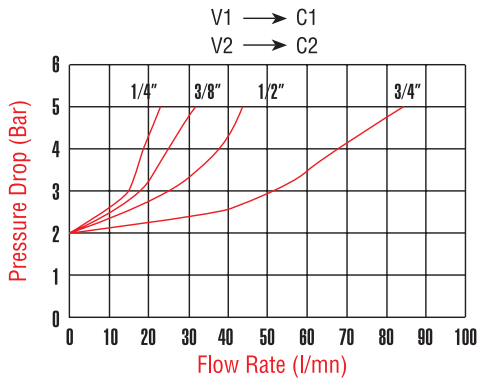
CODE	DESCRIPTION	K	L	A	B	C	D	E	F	G	H	M	kg
GDC-AD-4001	1LT.	95	109	122	132	122	137	50	95	1/2	1/4	10,5	1,230 kg
GDC-AD-4002	2LT.	180	90	147	155	205	115	50	95	1/2	1/4	11,5	1,940 kg
GDC-AD-4003	3LT.	180	90	147	155	205	115	50	95	1/2	1/4	11,5	2,400 kg
GDC-AD-4004	4LT.	180	90	161	165	205	115	50	95	1/2	1/4	11,5	3,530 kg
GDC-AD-4005	5LT.	180	90	161	165	205	115	50	95	1/2	1/4	11,5	4,270 kg

TWIN LOCK VALVE



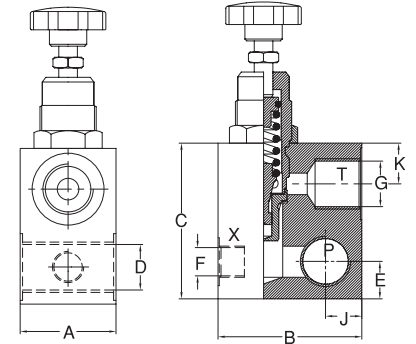
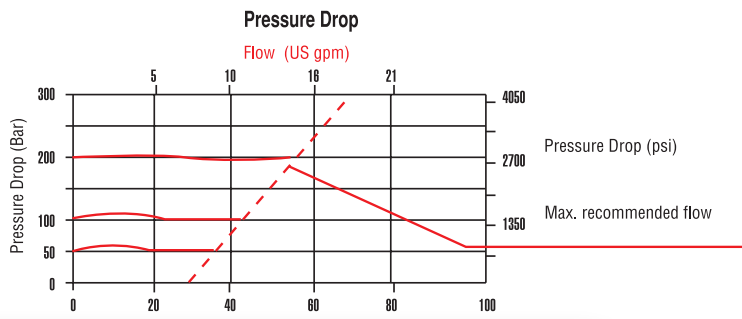
Twin Lock Valve

CODE	DESCRIPTION	THREAD SIZE	WORKING PRES.	A	B	C	E	F	D	kg	
TLV-301	1/4 Twin Lock Valve	1/4"	BSP	380	58	40	35	112,5	7	1/4"	0,530 kg
TLV-302	3/8 Twin Lock Valve	3/8"	BSP	380	71	55	34	137	7	3/8"	0,690 kg
TLV-303	1/2 Twin Lock Valve	1/2"	BSP	360	71	55	34	145	7	1/2"	0,690 kg



Twin Lock Valve With Nut

CODE	DESCRIPTION	THREAD SIZE	WORKING PRES.	A	B	C	E	F	D	kg	
TLV-S304	3/8 Twin Lock Valve with Nut	3/4"	BSP	320	100	65	55	200	10,5	3/4"	0,660 kg



Hydraulic Pressure Safety Valve

CODE	DESCRIPTION	WORKING PRESSURE	A	B	C	E	F	kg
PS401	1/2"	380	58	40	35	112,5	7	1,120 kg



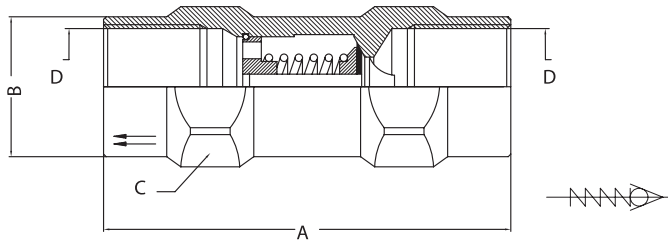
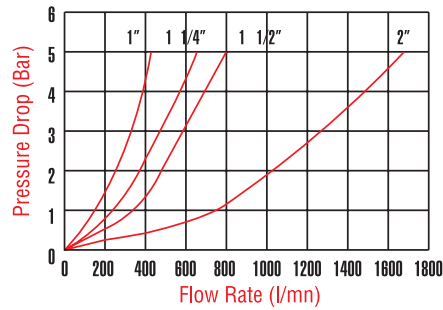
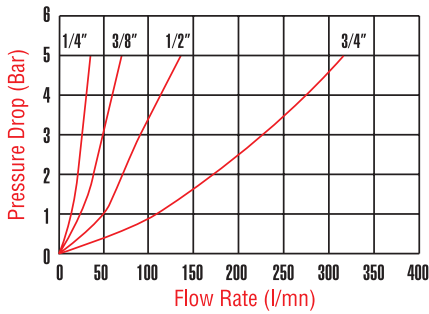
Manuel Hose Crimping

CODE	DESCRIPTION	kg
MHC 2006	used for pressing sheet capsules between 6mm - 35mm	10,610 kg
MHC 2008	used for pressing sheet capsules between 6mm - 42mm	15,430 kg



Tube Bending Equipment

CODE	DESCRIPTION	kg
PB - 1001	used for bending line pipes between 6mm - 20mm	9,760 kg



316 L Stainless Check Valve

CODE	DESCRIPTION	OPENING PRESSURE	WORKING PRESSURE	A	B	C	D	kg
CV-201S	1/4 BSP Check Valve Stainless 316-L	0.5	450	55	18,5	19	1/4"	BSP 0,150 kg
CV-202S	3/8 BSP Check Valve Stainless 316-L	0.5	450	60	21,5	22	3/8"	BSP 0,165 kg
CV-203S	1/2 BSP Check Valve Stainless 316-L	0.5	400	70	26	27	1/2"	BSP 0,265 kg
CV-204S	3/4 BSP Check Valve Stainless 316-L	0.5	380	83	35	36	3/4"	BSP 0,550 kg
CV-205S	1" BSP Check Valve Stainless 316-L	0.5	350	98	40	41	1"	BSP 0,725 kg
CV-206S	1-1/4 BSP Check Valve Stainless 316-L	0.5	350	110	49	50	1*1/4	BSP 1,180 kg
CV-207S	1-1/2 BSP Check Valve Stainless 316-L	0.5	280	115	58	60	1*1/2	BSP 1,780 kg
CV-208S	2" BSP Check Valve Stainless 316-L	0.5	260	130	73	75	2"	BSP 2,530 kg

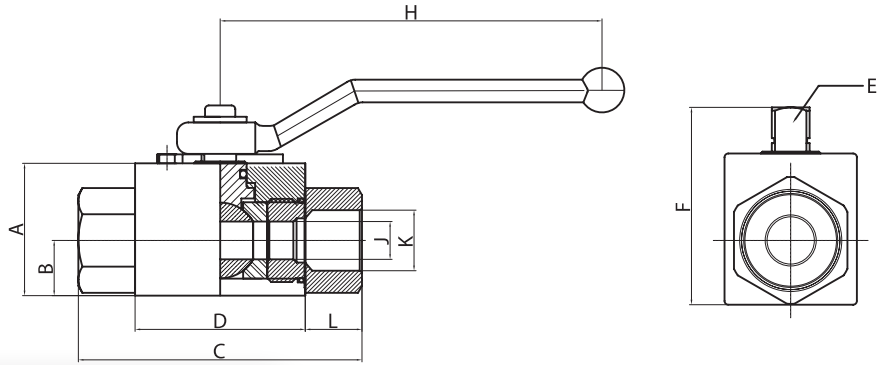
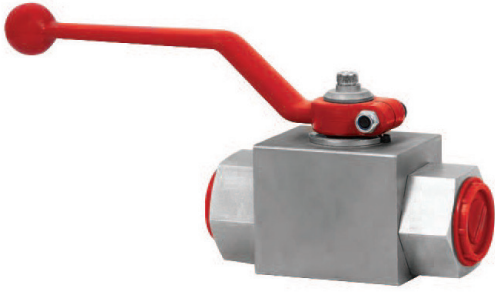
Check Valve

CODE	DESCRIPTION	OPENING PRESSURE	WORKING PRESSURE	A	B	C	D	kg
CV-201	1/4 BSP	0.5	450	55	18,5	19	1/4"	BSP 0,110 kg
CV-202	3/8 BSP	0.5	450	60	21,5	22	3/8"	BSP 0,130 kg
CV-203	1/2 BSP	0.5	400	70	26	27	1/2"	BSP 0,220 kg
CV-204	3/4 BSP	0.5	380	83	35	36	3/4"	BSP 0,480 kg
CV-205	1" BSP	0.5	350	98	40	41	1"	BSP 0,660 kg
CV-206	1-1/4 BSP	0.5	350	110	49	50	1*1/4	BSP 1,040 kg
CV-207	1-1/2 BSP	0.5	280	115	58	60	1*1/2	BSP 1,600 kg
CV-208	2" BSP	0.5	260	130	73	75	2"	BSP 2,370 kg

Viton Check Valve

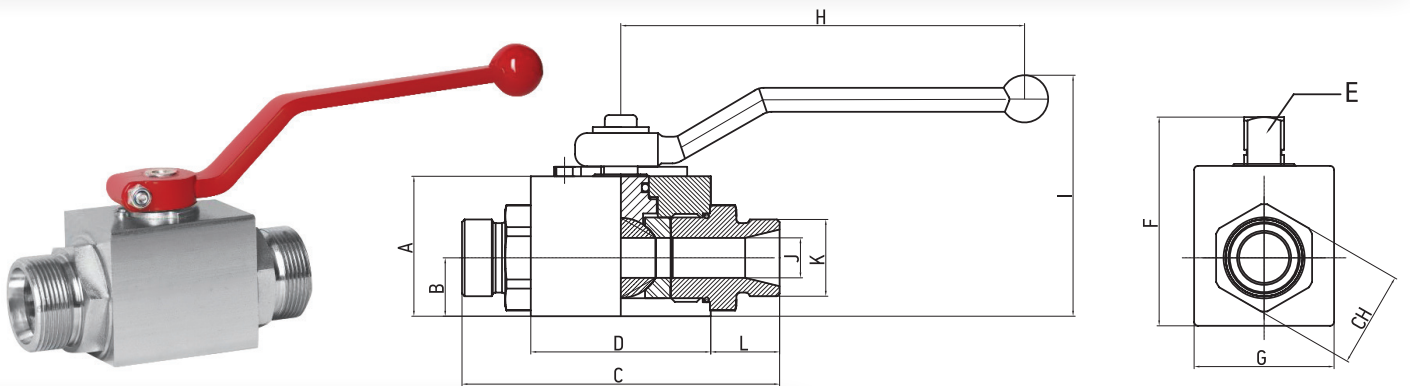
CODE	DESCRIPTION	OPENING PRESSURE	WORKING PRESSURE	A	B	C	D	kg
CV-201V	1/4 BSP Check Valve (Viton)	0.5	450	55	18,5	19	1/4"	BSP 0,110 kg
CV-202V	3/8 BSP Check Valve (Viton)	0.5	450	60	21,5	22	3/8"	BSP 0,130 kg
CV-203V	1/2 BSP Check Valve (Viton)	0.5	400	70	26	27	1/2"	BSP 0,220 kg
CV-204V	3/4 BSP Check Valve (Viton)	0.5	380	83	35	36	3/4"	BSP 0,480 kg
CV-205V	1" BSP Check Valve (Viton)	0.5	350	98	40	41	1"	BSP 0,660 kg
CV-206V	1-1/4 BSP Check Valve (Viton)	0.5	350	110	49	50	1*1/4	BSP 1,040 kg
CV-207V	1-1/2 BSP Check Valve (Viton)	0.5	280	115	58	60	1*1/2	BSP 1,600 kg
CV-208V	2" BSP Check Valve (Viton)	0.5	260	130	73	75	2"	BSP 2,370 kg

2 WAY BALL VALVE



2 Way Ball Valve

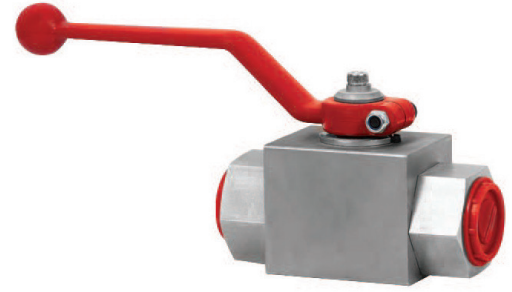
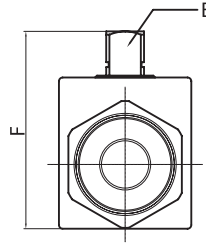
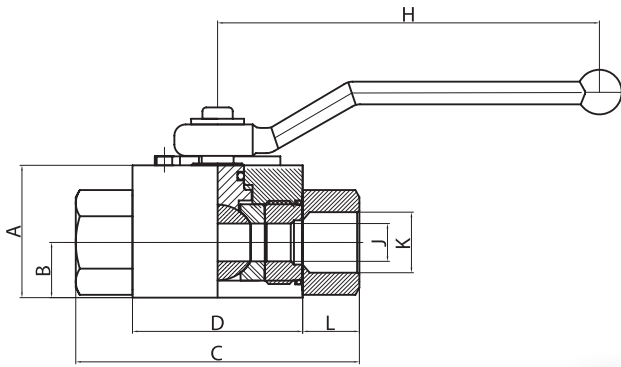
CODE	DESCRIPTION	K	A	B	C	D	E	F	G	H	I	J	L	CH	kg	
KV-2401	1/4 Hydraulic Ball Valve	1/4"	BSP	35	14,5	75	45	10	46	30	98	76	10	15	24	0,470 kg
KV-2402	3/8 Hydraulic Ball Valve	3/8"	BSP	35	14,5	75	45	10	46	30	98	76	10	15	24	0,455 kg
KV-2403	1/2 Hydraulic Ball Valve	1/2"	BSP	40	16,5	84	50	10	51,5	35	98	80	13	17	30	0,655 kg
KV-2404	3/4 Hydraulic Ball Valve	3/4"	BSP	55	23,5	96	60	14	73	45	160	110	20	18	38	1,300 kg
KV-2405	1" Hydraulic Ball Valve	1"	BSP	60	26	118	70	14	78	55	160	115	25	24	46	2,000 kg
KV-2406	1-1/4 Hydraulic Ball Valve	1"1/4	BSP	60	26	133	70	14	78	55	160	115	25	31,5	50	2,075 kg
KV-2407	1-1/2 Hydraulic Ball Valve	1"1/2	BSP	60	26	140	70	14	78	55	160	115	25	35	55	2,025 kg



2 Way Metric Ball Valve

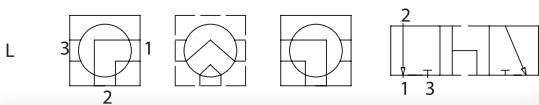
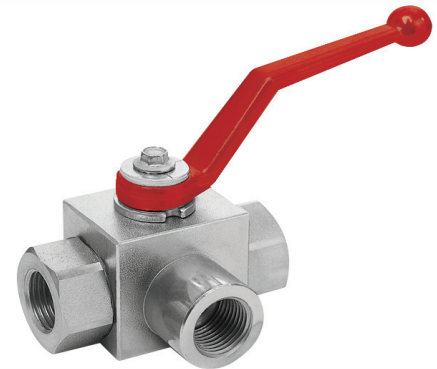
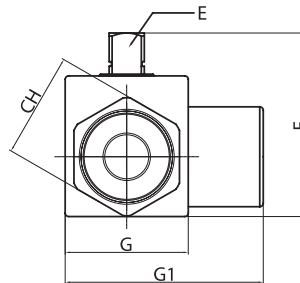
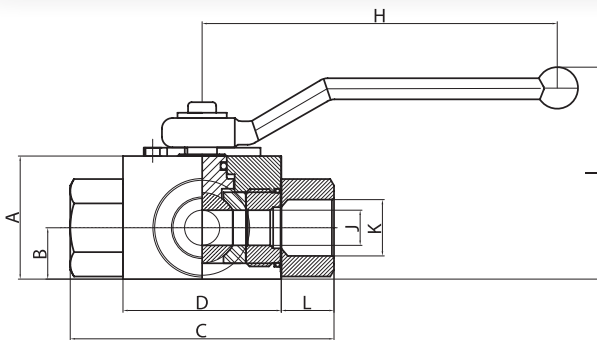
CODE	DESCRIPTION	K	A	B	C	D	E	F	G	H	I	J	L	CH	kg		
KV-2M401	M14x1,5	M14x1,5	M16x1,5	35	15	75	45	10	46	30	98	76	10	15	24	0,470 kg	
KV-2M402	M16x1,5	M18x1,5	M20x1,5	35	15	75	45	10	46	30	98	76	10	15	24	0,455 kg	
KV-2M403	M18x1,5	M22x1,5	M24x1,5	M26x1,5	40	17	84	50	10	52	35	98	80	13	17	30	0,655 kg
KV-2M404	M20x1,5	M30x2	M36x2	55	24	96	60	14	73	45	160	110	20	18	38	1,300 kg	
KV-2M405	M22x1,5	M42x2	60	26	118	70	14	78	55	160	115	25	24	46	2,000 kg		
KV-2M406	M24x1,5	M45x2	60	26	133	70	14	78	55	160	115	25	31,5	50	2,075 kg		
KV-2M407	M26x1,5	M52x2	60	26	140	70	14	78	55	160	115	25	35	55	2,025 kg		

2 WAY & 3 WAY BALL VALVE



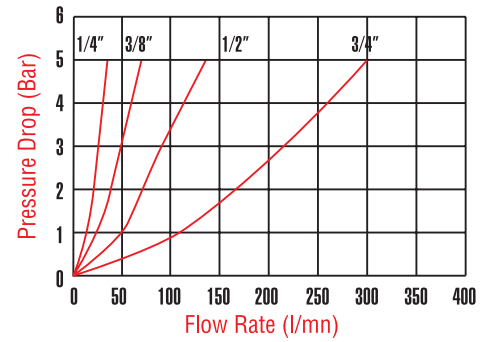
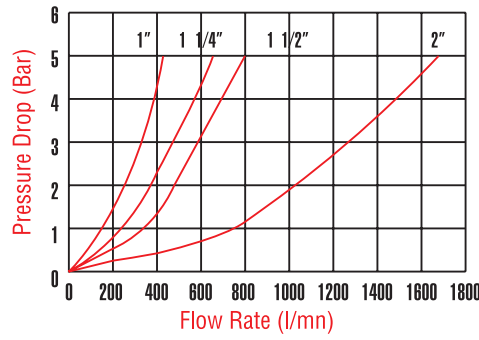
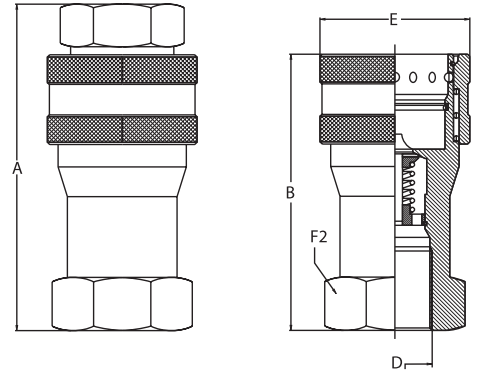
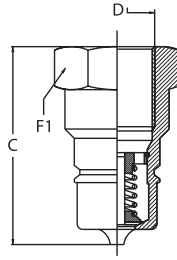
2 Way NPT Ball Valve

CODE	DESCRIPTION	K		A	B	C	D	E	F	G	H	I	J	L	CH	kg
KV-2N401	1/4 NPT Hydraulic Ball Valve	1/4"	NPT	35	14,5	75	45	10	46	30	98	76	10	15	24	0,470 kg
KV-2N402	3/8 NPT Hydraulic Ball Valve	3/8"	NPT	35	14,5	75	45	10	46	30	98	76	10	15	24	0,455 kg
KV-2N403	1/2 NPT Hydraulic Ball Valve	1/2"	NPT	40	16,5	84	50	10	51,5	35	98	80	13	17	30	0,655 kg
KV-2N404	3/4 NPT Hydraulic Ball Valve	3/4"	NPT	55	23,5	96	60	14	73	45	160	110	20	18	38	1,300 kg
KV-2N405	1" NPT Hydraulic Ball Valve	1"	NPT	60	26	118	70	14	78	55	160	115	25	24	46	2,000 kg
KV-2N406	1-1/4 NPT Hydraulic Ball Valve	1"1/4	NPT	60	26	133	70	14	78	55	160	115	25	31,5	50	2,075 kg
KV-2N407	1-1/2 NPT Hydraulic Ball Valve	1"1/2	NPT	60	26	140	70	14	78	55	160	115	25	35	55	2,025 kg



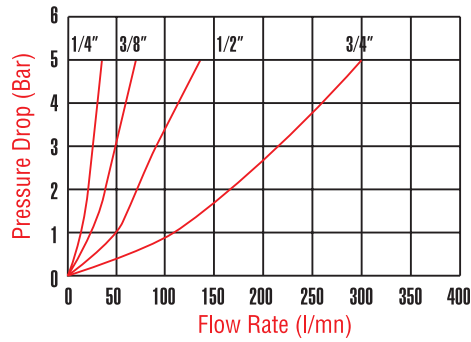
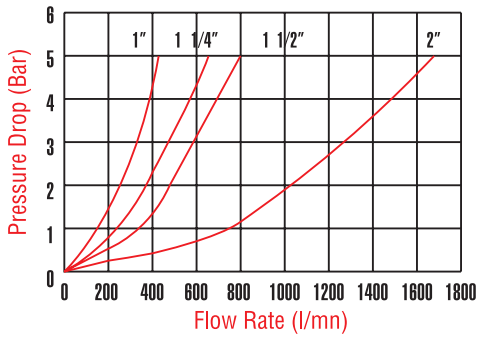
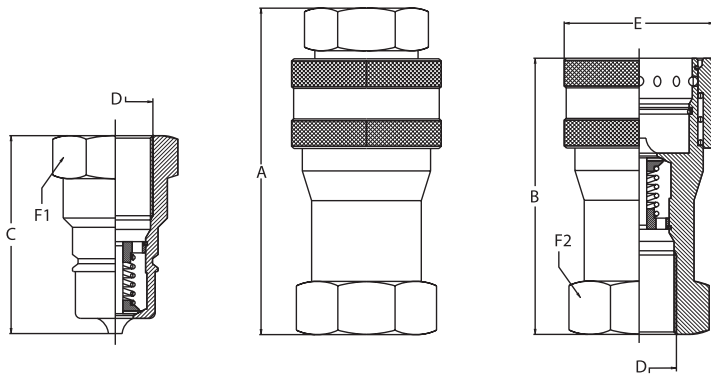
3 Way Ball Valve

CODE	DESCRIPTION	K		A	B	C	D	E	F	G	H	I	J	L	CH	kg
KV3L-401	1/4 Hydraulic Ball Valve	1/4"	BSP	35	14,5	75	45	10	46	30	98	76	10	15	24	0,510 kg
KV3L-402	3/8 Hydraulic Ball Valve	3/8"	BSP	35	14,5	75	45	10	46	30	98	76	10	15	24	0,490 kg
KV3L-403	1/2 Hydraulic Ball Valve	1/2"	BSP	40	16,5	84	50	10	51,5	35	98	80	13	17	30	0,680 kg
KV3L-404	3/4 Hydraulic Ball Valve	3/4"	BSP	55	23,5	96	60	14	73	45	160	110	20	18	38	1,350 kg
KV3L-405	1" Hydraulic Ball Valve	1"	BSP	60	26	118	70	14	78	55	160	115	25	24	46	2,070 kg
KV3L-406	1-1/4 Hydraulic Ball Valve	1"1/4	BSP	60	26	133	70	14	78	55	160	115	25	31,5	50	2,040 kg
KV3L-407	1-1/2 Hydraulic Ball Valve	1"1/2	BSP	60	26	140	70	14	78	55	160	115	25	35	55	2,240 kg



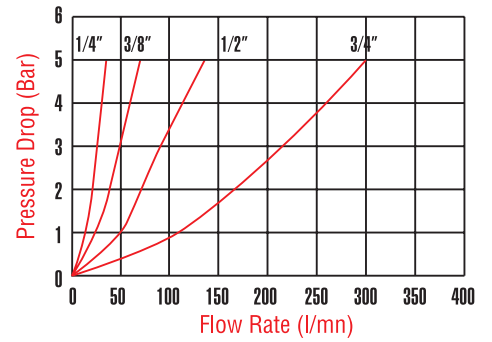
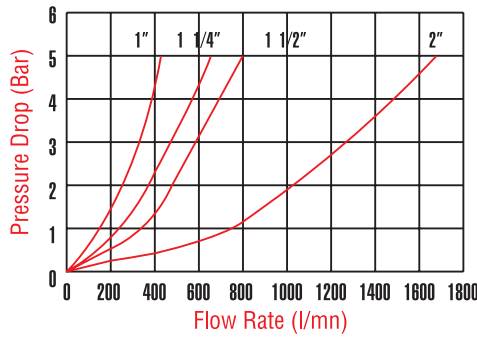
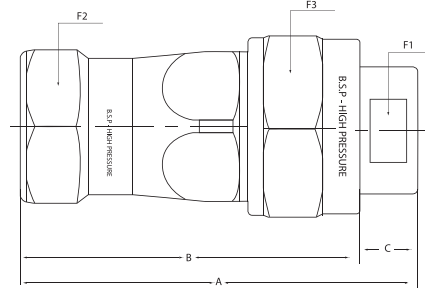
Quick Coupling

CODE	DESCRIPTION	D		A	B	C	E	F1	F2	WORKING PRESSURE	kg
QC-101	1/4 BSP	1/4"	BSP	75	55	40	30	19	22	350	0,200 kg
QC-102	3/8 BSP	3/8"	BSP	80	61	44	35	22	27	330	0,310 kg
QC-103	1/2 BSP	1/2"	BSP	92,5	68	50,5	38	27	30	320	0,410 kg
QC-104	3/4 BSP	3/4"	BSP	110,5	82	60,5	48	36	38	280	0,760 kg
QC-105	1" BSP	1"	BSP	131	99	73	54	41	46	250	1,080 kg
QC-106	1-1/4 BSP	1"1/4	BSP	150,5	117	83,5	68	50	55	230	1,890 kg
QC-107	1-1/2 BSP	1"1/2	BSP	167	133	96	82	60	70	220	3,440 kg
QC-108	2" BSP	2"	BSP	194	156	112	102	75	80	200	5,490 kg



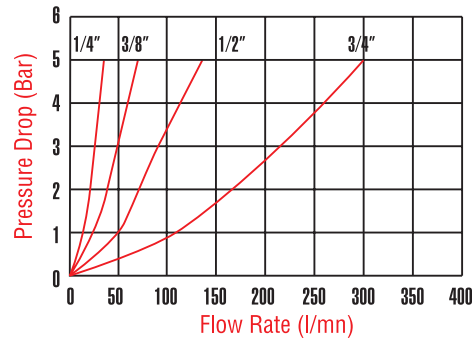
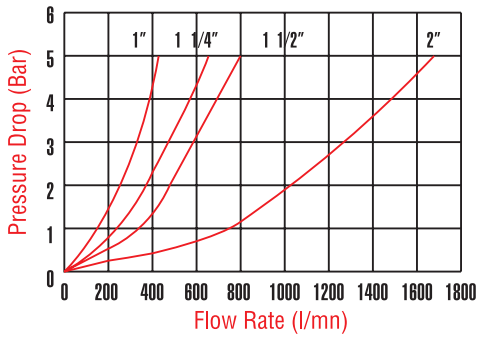
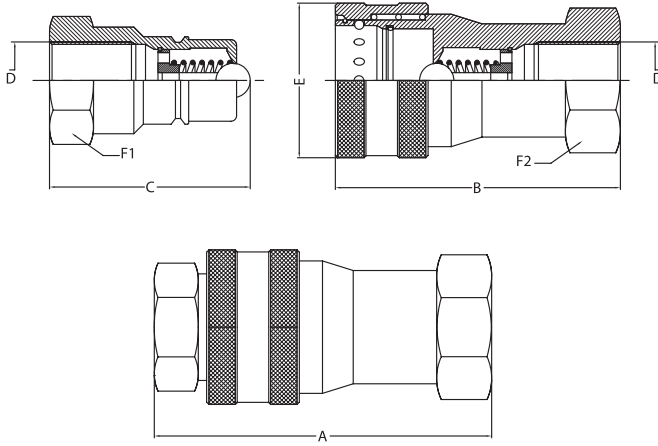
316 L Stainless Quick Coupling

CODE	DESCRIPTION	D	A	B	C	E	F1	F2	WORKING PRESSURE	kg	
QC-S101	1/4 BSP	1/4"	BSP	75	55	40	30	19	22	350	0,200 kg
QC-S102	3/8 BSP	3/8"	BSP	80	61	44	35	22	27	330	0,270 kg
QC-S103	1/2 BSP	1/2"	BSP	92,5	68	50,5	38	27	30	320	0,500 kg
QC-S104	3/4 BSP	3/4"	BSP	110,5	82	60,5	48	36	38	280	0,730 kg
QC-S105	1" BSP	1"	BSP	131	99	73	54	41	46	250	1,100 kg
QC-S106	1"1/4 BSP	1"1/4	BSP	150,5	117	83,5	68	50	55	230	1,890 kg
QC-S107	1"1/2 BSP	1"1/2	BSP	167	133	96	82	60	70	220	3,440 kg
QC-S108	2" BSP	2"	BSP	194	156	112	102	75	80	200	5,490 kg



High Pressure Quick Coupling

CODE	DESCRIPTION	A	B	C	F1	F2	F3	WORKING PRESSURE	kg
QC-VYB101	1/4 BSP	78	62	16	16	27	32	600	0,300 kg
QC-VYB102	3/8 BSP	86	69	17	17	30	36	580	0,390 kg
QC-VYB103	1/2 BSP	94	77	17	17	36	41	530	0,600 kg
QC-VYB104	3/4 BSP	110	92	18	18	41	50	500	0,920 kg
QC-VYB105	1\"/> <td>134</td> <td>112</td> <td>22</td> <td>22</td> <td>50</td> <td>60</td> <td>460</td> <td>1,560 kg</td>	134	112	22	22	50	60	460	1,560 kg



Ball Type Quick Coupling

CODE	DESCRIPTION	D		A	B	C	E	F1	F2	WORKING PRESSURE	kg
QC-B101	1/4 BSP	1/4"	BSP	75	55	40	30	19	22	350	0,200kg
QC-B102	3/8 BSP	3/8"	BSP	80	61	44	35	22	27	330	0,270 kg
QC-B103	1/2 BSP	1/2"	BSP	92,5	68	50,5	38	27	30	320	0,500 kg
QC-B104	3/4 BSP	3/4"	BSP	110,5	82	60,5	48	36	38	280	0,730 kg
QC-B105	1" BSP	1"	BSP	131	99	73	54	41	46	250	1,100 kg
QC-B106	1 1/4 BSP	1 1/4"	BSP	150,5	117	83,5	68	50	55	230	1,890 kg
QC-B107	1 1/2 BSP	1 1/2"	BSP	167	133	96	82	60	70	220	3,440 kg
QC-B108	2" BSP	2"	BSP	194	156	112	102	75	80	200	5,490 kg

